

Bifold Door

ARCHITECTURAL ALUMINIUM SERIES - 100mm FRAME

PRODUCT SPECIFICATION SHEET



Rylock Bifold Doors provide a large opening with panels that fold back to blend the transition between outside and in, ideal for alfresco entertaining.

TECHNICAL SPECIFICATIONS

Max Product Height	3000mm
Max Product Width	6000mm
Max Panel Height	3000mm ⁽¹⁾
Max Panel Width	1000mm ⁽¹⁾

Glazing Capacity	4mm - 22.38mm
------------------	---------------

Wind Rating	N1 - N2
-------------	---------

⁽¹⁾ Panel height and width are relative measures, and must comply with maximum area and mass limitations (on page 7).

ENERGY PERFORMANCE

U _w Value	3.0 ⁽²⁾
SHGC _w Range	0.20 - 0.41 ⁽²⁾

⁽²⁾ Energy results are product and size specific. As product sizes reduce, energy values increase. Custom energy results will be supplied with your Quotation - Sales Order.

Rylock Architectural Aluminium Series Bifold Doors are a bold architectural feature with superior Centor™ bottom-rolling hardware for smooth operation.

Available in 2, 3, 4, 5 or 6-panel configurations, pull handles are fitted between each panel to assist when flush-bolt compression latches are engaged, fitted both top and bottom for secure locking and to ensure resistance against air and water infiltration for AS 2047 Windows and External Glazed Doors compliance testing.

Bifold Doors are glazed in accordance with AS 1288 Glass in Buildings and whilst a large range of options are available, all products are glazed with Grade A Safety Toughened

Low-e Double Glazing (Argon Fill) as a standard specification.

Bifold Doors are fitted with the Lockwood™ Aria or Summit handle hardware, available in black, white and satin chrome. Products are powder coated in-house from a selection of 30 standard colours and textures and tested by the CSIRO for durability.

Rylock manufacture products designed to meet your particular site conditions and any existing requirements, to achieve the best results.

Speak with a Rylock Sales Consultant about your home or next project to achieve a custom, high performance solution.

V23.1

Bifold Door

ARCHITECTURAL ALUMINIUM SERIES - 100mm FRAME

Rylock Architectural Aluminium Series Bifold Doors are endlessly customisable, offering stunning architectural designs and many outstanding features:



 NOISE SOLUTION

 SECURITY SOLUTION

 BUSHFIRE SOLUTION

PRODUCT FEATURES



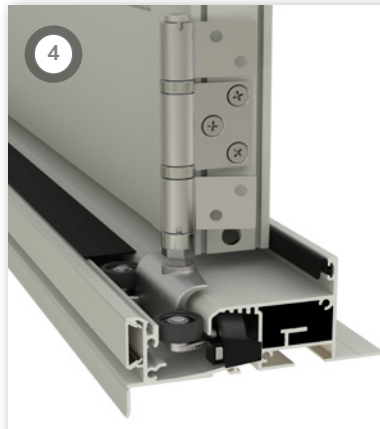
Satin chrome **Pull Handles** are fitted between panels to assist when flush-bolts are engaged.



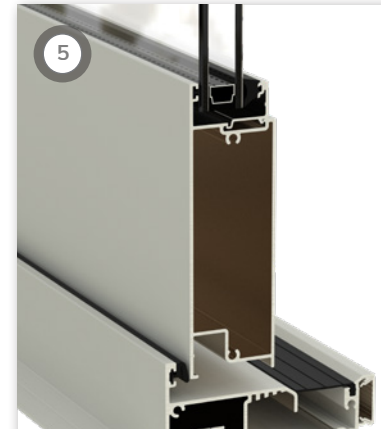
Satin chrome **Flush-bolt Compression Latches** are fitted top on all folding panels for secure locking.



Stainless steel **Centor™ Top Rollers** guide each Bifold Door panel for ease of operation.



Stainless steel **Centor™ Bottom Rolling** ensures smooth operation with concealed floor guide channel.



IGU standard specification is Grade A Safety Toughened Low-e Double Glazing (Argon Fill).



Optional **Sill Flap** expels water from the building for Brick Veneer and Double Brick applications.

Bifold Door

ARCHITECTURAL ALUMINIUM SERIES - 100mm FRAME

HARDWARE OPTIONS

Powder coat frame and hardware colours displayed for visual contrast purposes only.

Rylock offers a selection of high performance hardware solutions for Architectural Aluminium Series Bifold Doors:

LOCKWOOD™ ARIA HANDLE

The **Lockwood™ Aria Handle** features a contemporary design with clean lines, innovative design and quality manufacturing. The mechanism incorporates a lever handle torsion spring and shuttle mechanism for ease of use.

Available in black, white and satin chrome.



LOCKWOOD™ SUMMIT HANDLE

The **Lockwood™ Summit Handle** features a classic design with smooth lines, innovative design and quality manufacturing. The mechanism incorporates a lever handle torsion spring and shuttle mechanism for ease of use.

Available in black, white and satin chrome.



Bifold Door with Black Aria Handle

Bifold Door

ARCHITECTURAL ALUMINIUM SERIES - 100mm FRAME

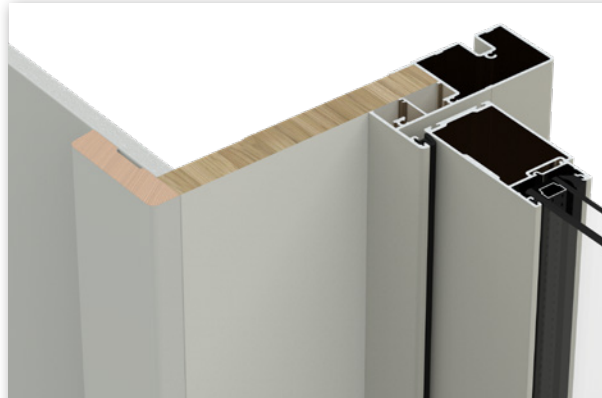
A product's reveal type and depth can be customised to suit various building materials, to achieve a particular architectural style and deliver ultimate customisation.



Example of Plaster Reveal Offset application

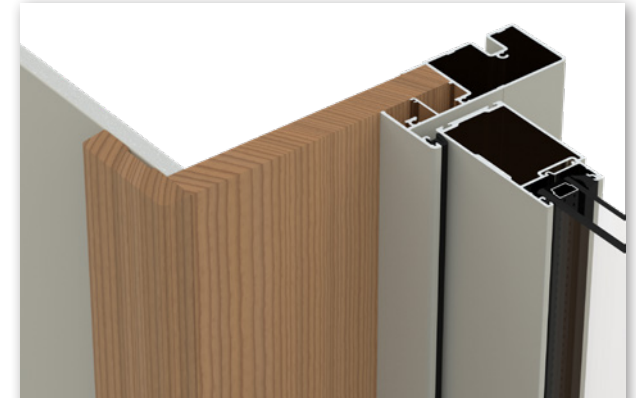
REVEAL TYPE & DEPTH

Powder coat frame and hardware colours displayed for visual contrast purposes only.



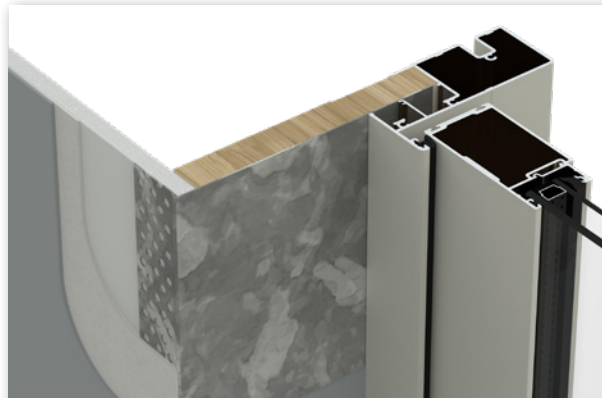
Primed Timber Reveal

A pre-primed in-line timber reveal for ease of installation is ready for painting. Architrave supplied by others.



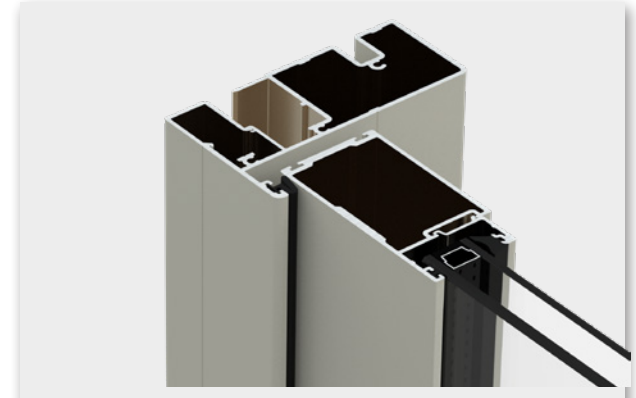
Hardwood Reveal

Select grade hardwood in-line timber reveal for ease of installation is ready to varnish. Architrave supplied by others.



Plaster Reveal Offset

Common in modern housing construction (pictured left) products are fitted with a 1.6mm spacer to aid installation of the EzyReveal™ system.



Reveal Equaliser

A versatile solution which provides a powder coated finish to the full height of the internal surface of the frame with concealed fixing pocket.

Bifold Door

ARCHITECTURAL ALUMINIUM SERIES - 100mm FRAME

TECHNICAL RESOURCES



V23.1

Bifold Door

SIZING & CONFIGURATIONS

ARCHITECTURAL ALUMINIUM SERIES - 100mm FRAME

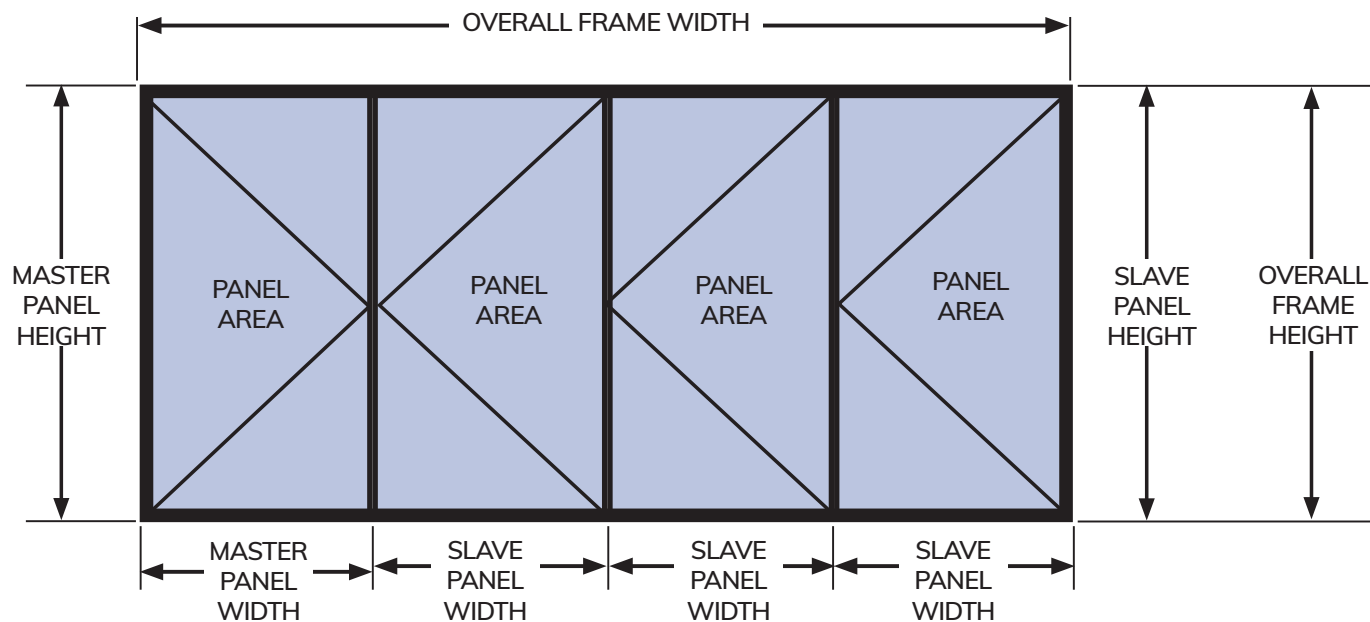
Given the custom nature of Rylock Architectural Aluminium Series Bifold Doors, product sizes are virtually limitless, provided compliance with Australian Standards is met. Page 7 of this technical resource details Rylock's sizing matrix for Bifold Door Panels which comply with NCC requirements. These resources are best used in consultation with your Rylock Sales Consultant.

Rylock Architectural Aluminium Series Bifold Doors are available in 2, 3, 4, 5 and 6-panel configurations with varied combinations of left and righthand opening master and slave panels.

This diagram (below) is an example of a Bifold Door in a 4 panel configuration with 1 master panel to the left and 3 slave panels which open to the right.

No products can be coupled to the Architectural Aluminium Series Bifold Door.

Refer to page 7 for the Bifold Door Panel Sizing Matrix.



Bifold Door

ARCHITECTURAL ALUMINIUM SERIES - 100mm FRAME

BIFOLD DOOR PANEL SIZING MATRIX

These technical resources are best used in consultation with your Rylock Sales Consultant.

WIND RATING

Up to and including:

N3

Unless specified otherwise

PANEL HEIGHT - FRAME DIMENSIONS (mm)	PANEL WIDTH FRAME DIMENSION (mm)								
	600	650	700	750	800	850	900	950	1000
1100	!	!	!						
1150	!	!	!						
TO	!	!	FROM 1150mm TO 1450mm						
1450	!	!	!						
1500	!	!	!						
TO	!	!	FROM 1500mm TO 1800mm						
1800	!	!	!						
1850	!	!	!						
1900	!	!	!						
1950	!	!	!						
2000	!	!	!						
2050	!	!	!						
2100	!	!	!						
2150	!	!	!						
2200									
2250									
TO			FROM 2250mm TO 2550mm						
2550									
2600									
2650									
2700									
2750									
2800									
2850									
2900									
2950									
3000									

N1 & N2 ONLY
for Heights greater than 2800mm

Notes:

- The shaded regions display the allowable sizes for compliance with human impact and N1 - N3 and non-exposed N-ratings.
- Only Flush Bolt hardware is available for shorter product (between 1100mm and 1750mm).
- Minimal compression and minimum visible glass area on panels will be considerable at lower widths.
- Minimum visible glass area is subjectively defined as **less than or equal to 75% of the panel area.**
- The maximum allowable total glass is 10mm (eg: 5TGH / 10ARG / 5TGH).
- All sizes are based on outer frame dimensions, (not glass dimensions).
- Any product with a height greater than 2100mm will feature the 4-Point Level Compression Lock.

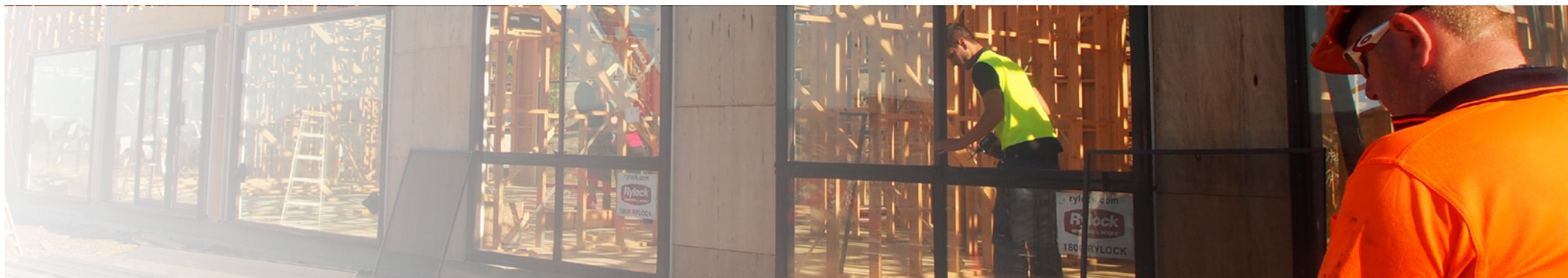
ITEM	HARDWARE OPTIONS	PANEL PARAMETERS			
		Height		Width	
		Min	Max	Min	Max
1	Only Flush Bolts available (suitable for N3 and lower)	1100mm	1795mm	600mm	1000mm
2	N3 and lower	1800mm	2795mm	600mm	1000mm
3	N1 and N2 only	2800mm	3000mm	700mm	800mm
!	Minimal visible glass & compression on panels will be considered at highlighted widths.				

Bifold Door

ARCHITECTURAL ALUMINIUM SERIES - 100mm FRAME

INSTALLATION RESOURCES

These technical resources are best used in consultation with your Rylock Sales Consultant.



Rylock has extensive resources to support customers in the best practice application of its products. Our extensive online library has technical resources including product x-section drawings in PDF and DWG format, typical building-in installation detail with 3D interactive renders, as well as operation and adjustment videos.

The most vital aspect of correct function is correct installation and it is recommended that the manufacturer's specification is always followed as improper installation can lead to air infiltration, moisture and poor overall product performance. Rylock has comprehensive typical building-in detail for four common wall types to assist installers:

- Lightweight Cladding | Linea Board
- Lightweight Cladding | Hebel PowerPanel
- Brick Veneer; and
- Double Brick

[View the AA Series Bifold Door Installation Guide](#)

SCAN QR CODE FOR INSTALLATION GUIDE

Technical Resources on this page include:

- 3D Interactive Renders
- Typical Building-In Detail CAD Drawings
- Link to the NCC (requires login)
- AGWA Fixing Guide (PDF download)

