

# AWNING WINDOW



**AA SERIES - 65mm FRAME** (opening sash also fits into 125mm SuperLite frame)

Outer frame & sash corners are mitred, enhancing the clean appearance of the window. All fixings are made from durable stainless steel

The open portion of the sash faces downwards, which provides protection from rain during ventilation

Lockable chainwinders are fitted as standard, & come in a black, white or silver finish. For difficult to access windows, electric operators (black finish only) are a popular solution

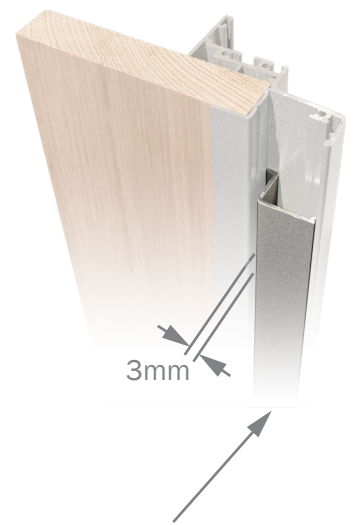
The optional sill flap can be specified when required

All glass is installed into dual vinyl sided rebates, ensuring vibration free glazing

Reveals can be supplied in primed or raw hardwood, & can also be offset from the frame by 1.6mm to assist in creating a 'square-set' look



When fully open, stainless steel, double-action stays help the sash step out slightly at the top, encouraging more efficient ventilation



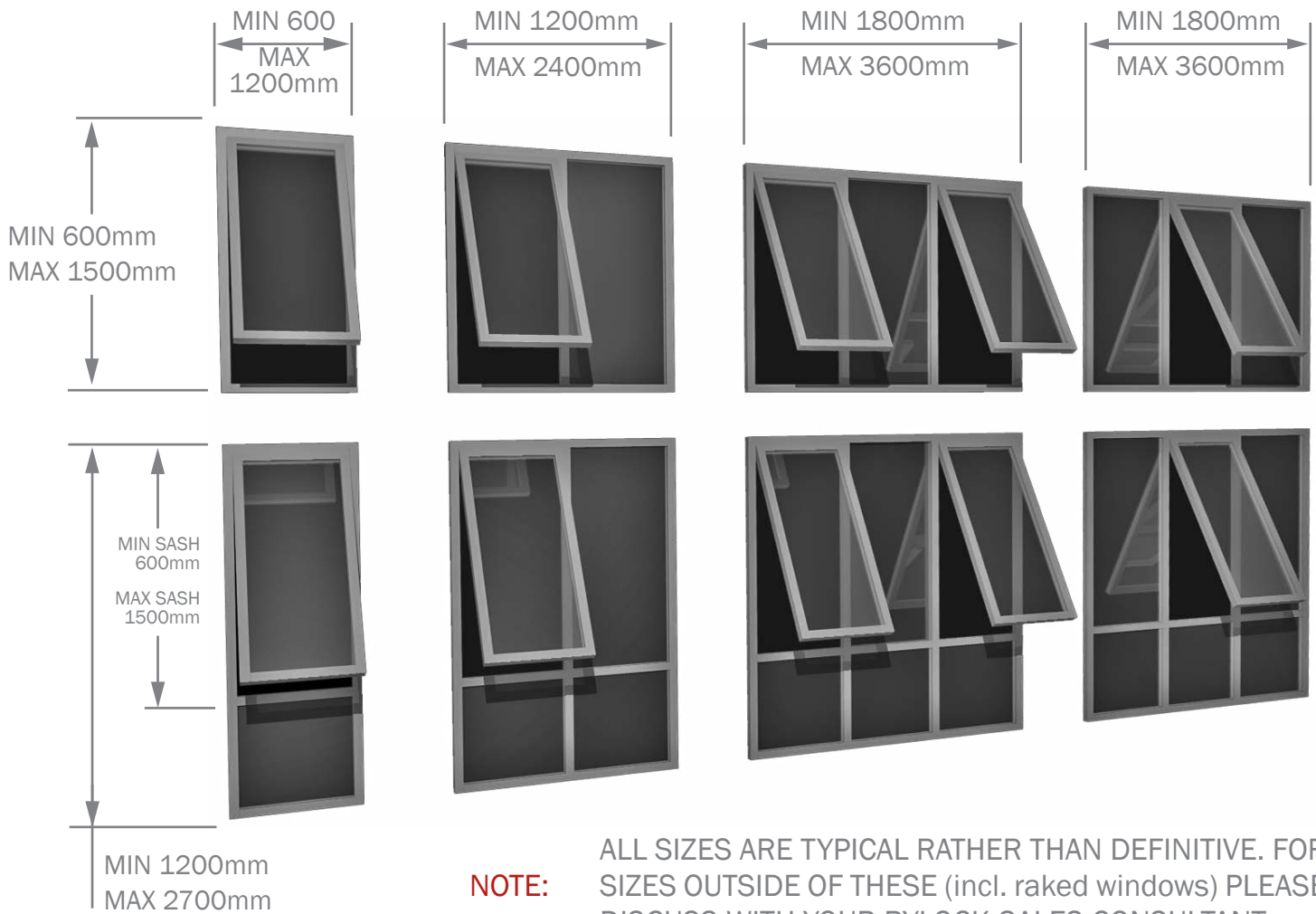
The optional external frame infill has a 15 x 3mm pocket for flashing insertion, whilst the inline reveal simplifies installation into a broad range of construction styles



# AWNING WINDOW



**AA SERIES - 65mm FRAME** (opening sash also fits into 125mm SuperLite frame)



**NOTE:** ALL SIZES ARE TYPICAL RATHER THAN DEFINITIVE. FOR SIZES OUTSIDE OF THESE (incl. raked windows) PLEASE DISCUSS WITH YOUR RYLOCK SALES CONSULTANT

## Sizing

Window style & opening detail should be considered as viewed externally  
Sizes indicated are the overall window size. Reveal is inline with outer frame dimension.  
For Stud openings add 20mm to both height & width

## Glazing

Glazing strength to minimum N3 rating. Maximum double glazed panel thickness is 22.38mm

## Certification

Certified performance data including WERS ratings are available for this product on request

## Specify

Frame colour, configuration, height, width & overall depth, reveal type (including for plaster reveals)  
Optional: operator (chainwinder, latch or electric), operator colour (electric is black only), restricted opening, fly screen, mesh type, external frame infill, reveal equaliser, sill flap, glass type

The above product sizes comply with structural requirements (AS2047-2014, *Windows and external glazed doors in buildings*) for an 'N1' wind rating (AS4055-2012, *Wind loads for housing*).

This is typical of sites in suburban areas. In addition, the location has a Terrain Category of 3, is Topographic Class 1 or 2 and assumes the building will be surrounded by others of similar size.

Please specify if your site has different characteristics to any of those listed. Your building professional (architect, designer, surveyor, engineer, builder, etc.) can often assist with such determinations.