

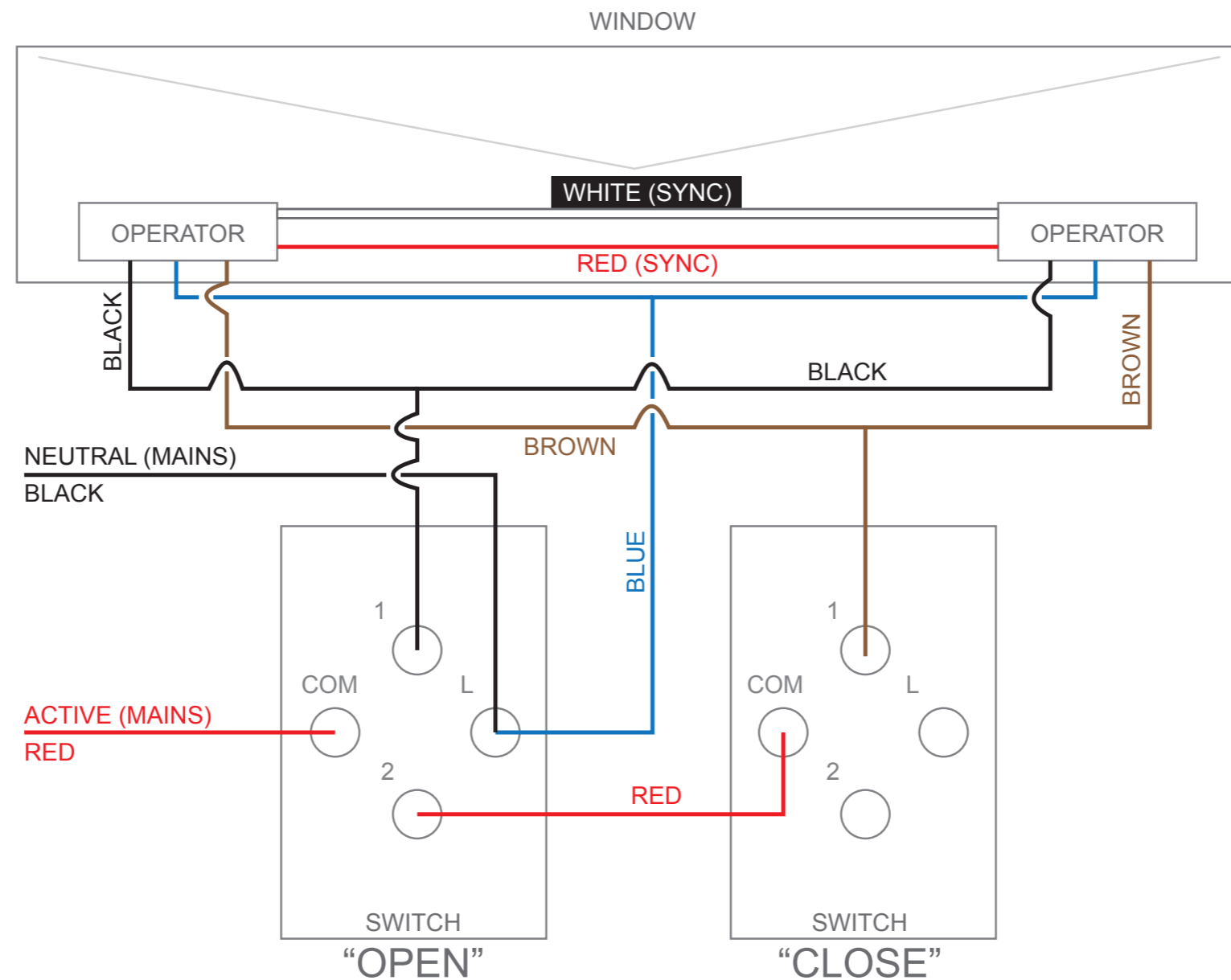
Awning Window

COMMERCIAL SERIES - 125mm FRAME

Electric Operator | Double Motor

WIRING DIAGRAM & SWITCH SPECIFICATION

FOR 2 x NEKOS-KATO 230V PER SASH



“COM” = COMMON

“L” = LOOP

Standard non-latching, normal open “**Bell Press**” switches are required.

Switches are specified but not supplied.

Clipsal 30MBPR & HPM 770XM