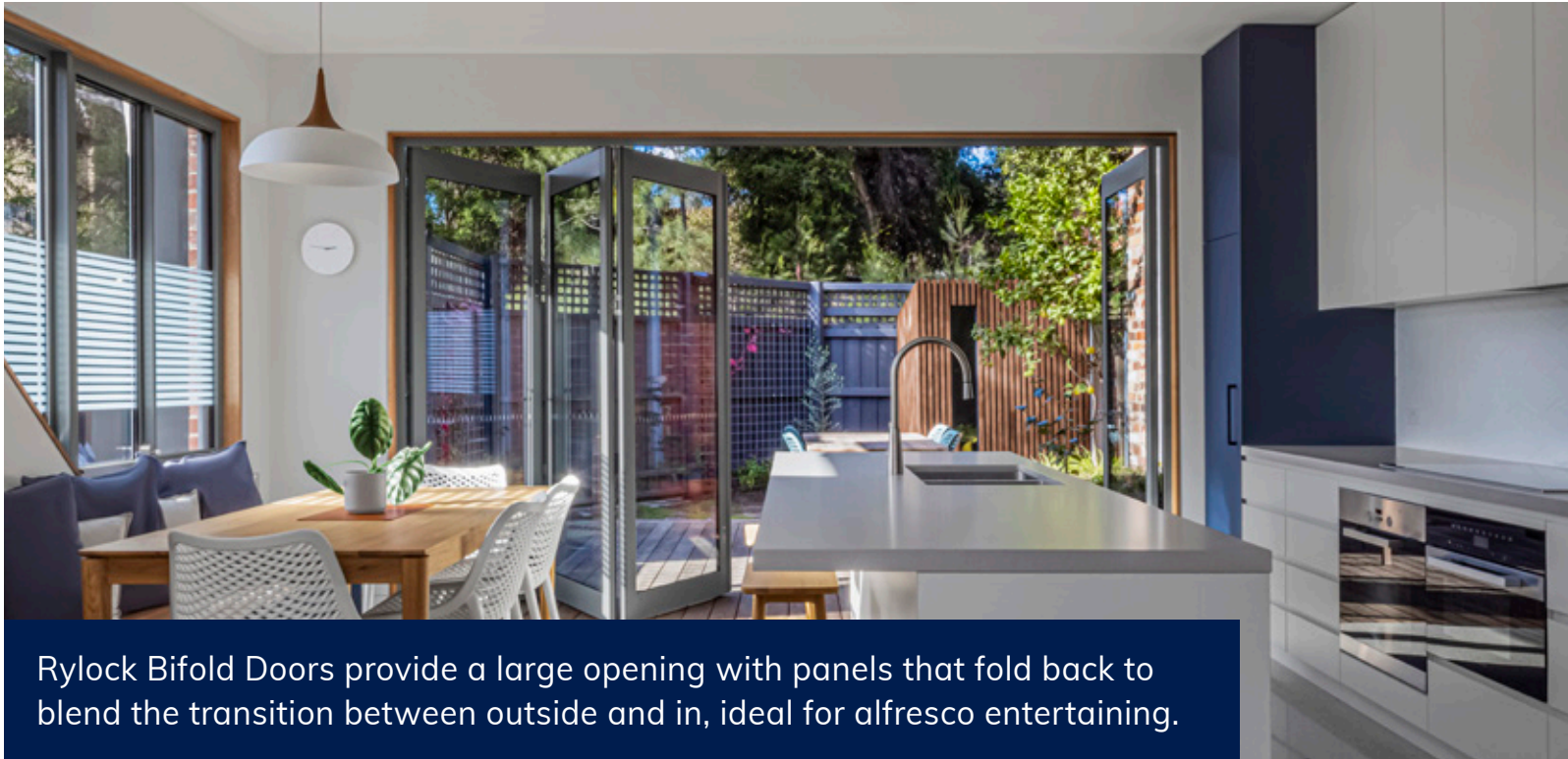


Bifold Door

COMMERCIAL SERIES - 125mm FRAME

PRODUCT SPECIFICATION SHEET



Rylock Bifold Doors provide a large opening with panels that fold back to blend the transition between outside and in, ideal for alfresco entertaining.

TECHNICAL SPECIFICATIONS

Max Product Height	3050mm
Max Product Width	6000mm
Max Panel Height	2929mm ⁽¹⁾
Max Panel Width	1000mm ⁽¹⁾

Glazing Capacity	4mm - 25mm
------------------	------------

Wind Rating	N1 - N3
-------------	---------

Water Resistance	Non-compliant
------------------	---------------

⁽¹⁾ Panel height and width are relative measures, and must comply with maximum area and mass limitations (on page 7).

ENERGY PERFORMANCE

U _w Value	4.1 ⁽²⁾
----------------------	--------------------

SHGC _w Range	0.32 - 0.50 ⁽²⁾
-------------------------	----------------------------

⁽²⁾ Energy results are product and size specific. As product sizes reduce, energy values increase. Custom energy results will be supplied with your Quotation - Sales Order.

Rylock Commercial Series Bifold Doors are a bold architectural statement, available in 2, 3, 4, 5 and 6 panel configurations. Designed for seamless indoor-outdoor access, the 50mm sill can be rebated for a “zero threshold” installation, which is compliant with AS1428 – Design for Access and Mobility.

The product’s heavy duty extrusions are assembled with stainless steel fixing plates to maintain each panel’s squareness; and fitted with premium Centor™ bottom-rolling hardware for smooth operation and durability.

Discreet pull handles between each panel assist in engaging flush-bolt compression

latches for secure locking, ensuring resistance to air and water infiltration.

Bifold Doors are glazed in accordance with AS 1288 Glass in Buildings, and whilst a large range of options is available, all products are glazed with Grade A Safety Toughened Low-e Double Glazing (Argon Fill) as a standard specification.

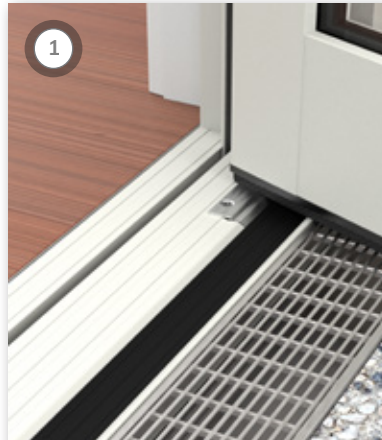
Products are powder coated from a selection of 30 standard colours and textures and tested by the CSIRO for durability. Rylock designs and manufactures products to suit your unique site conditions and project needs. Speak with a Rylock Sales Consultant today to achieve a custom solution.

V25.4

Bifold Door

COMMERCIAL SERIES - 125mm FRAME

Rylock Commercial Series Bifold Doors are endlessly customisable, offering stunning architectural designs and many outstanding features:



1
50mm Sill can be rebated for "zero threshold" installation, making it an ideal assisted living solution.



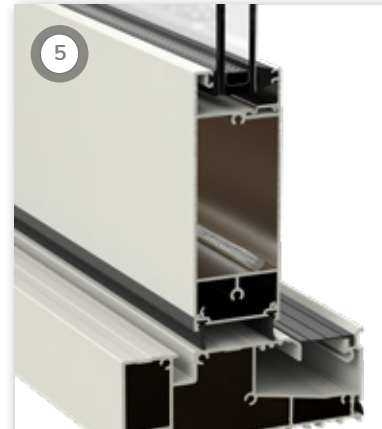
2
Stainless steel **Fixing Plates** safeguard each panel's squareness and durability at the largest of sizes.



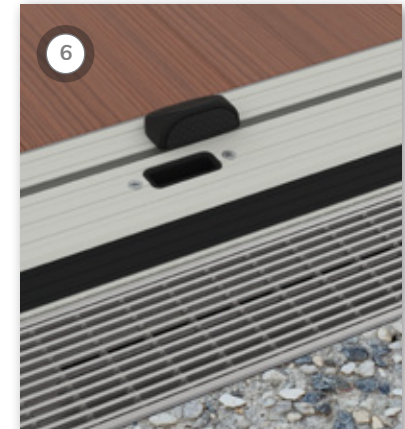
3
Stainless steel **Centor™ Top Rollers** guide each Bifold Door panel for ease of operation.



4
Stainless steel **Centor™ Bottom Rolling** ensures smooth operation with concealed floor guide channel.



5
IGU standard specification is Grade A Safety Toughened Low-e Double Glazing (Argon Fill).



6
A **Panel Stop** is affixed between panels, at the sill, for a superior seal to reduce air infiltration.

 **NOISE SOLUTION**

 **SECURITY SOLUTION**

 **ACCESS & MOBILITY**

Bifold Door

COMMERCIAL SERIES - 125mm FRAME

Rylock offers a selection of high performance hardware solutions for Commercial Series Bifold Doors:

*MY LOCK LATCH w/ DDA LEVER

The ***myLock Latch w/ DDA Lever** (top left) features a contemporary design with comfort hold lever and surface mounted keylock and snib, available in 3 colours: black, white and satin-brushed stainless steel.

*MY LOCK LATCH w/ TAPERED LEVER

The ***myLock Latch w/ Tapered Lever** (top right) features a contemporary design with clean lines and a surface mounted keylock and snib, available in 3 colours: black, white and satin-brushed stainless steel.

*Standard inclusion hardware options

PULL HANDLES

Rylock Bifold Doors feature **Centor™ Pull Handles**, (bottom left). Manufactured in architectural-grade stainless steel they are fitted between panels to assist when flush-bolts are engaged. Available in satin-brushed stainless steel only.

FLUSH-BOLT COMPRESSION LATCHES

Rylock Bifold Doors feature **Flush-bolt Compression Latches**, (bottom right) fitted to the top and bottom of all slave panels to secure the product in place when closed. Designed for durability and ease of use, they are available in stain-brushed stainless steel only.

HARDWARE OPTIONS

Powder coat frame and hardware colours displayed for visual contrast purposes only.



*myLock Latch w/ DDA Lever



*myLock Latch w/ Tapered Lever



Pull Handles



Flush-bolt Compression Latches

Bifold Door

COMMERCIAL SERIES - 125mm FRAME

A product's reveal type and depth can be customised to suit various building materials, to achieve a particular architectural style and deliver ultimate customisation.



Example of Plaster Reveal Offset application

REVEAL TYPE & DEPTH

Powder coat frame and hardware colours displayed for visual contrast purposes only.



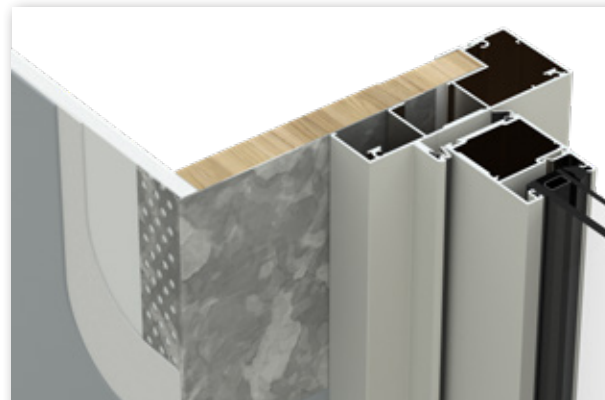
Primed Timber Reveal

A pre-primed in-line timber reveal for ease of installation is ready for painting.
Architrave supplied by others.



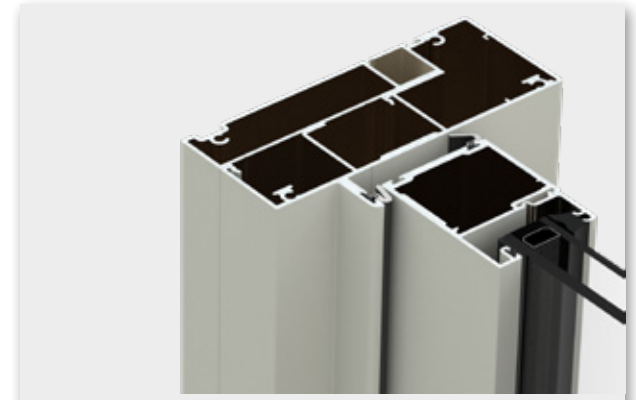
Hardwood Reveal

Select grade hardwood in-line timber reveal for ease of installation is ready to varnish.
Architrave supplied by others.



Plaster Reveal Offset

Common in modern housing construction (pictured left) products are fitted with a 1.6mm spacer to aid installation of the EzyReveal™ system.



Reveal Equaliser

A versatile solution which provides a powder coated finish to the full height of the internal surface of the frame with concealed fixing pocket.

Bifold Door

COMMERCIAL SERIES - 125mm FRAME

TECHNICAL RESOURCES



V25.4

Bifold Door

COMMERCIAL SERIES - 125mm FRAME

SIZING & CONFIGURATIONS

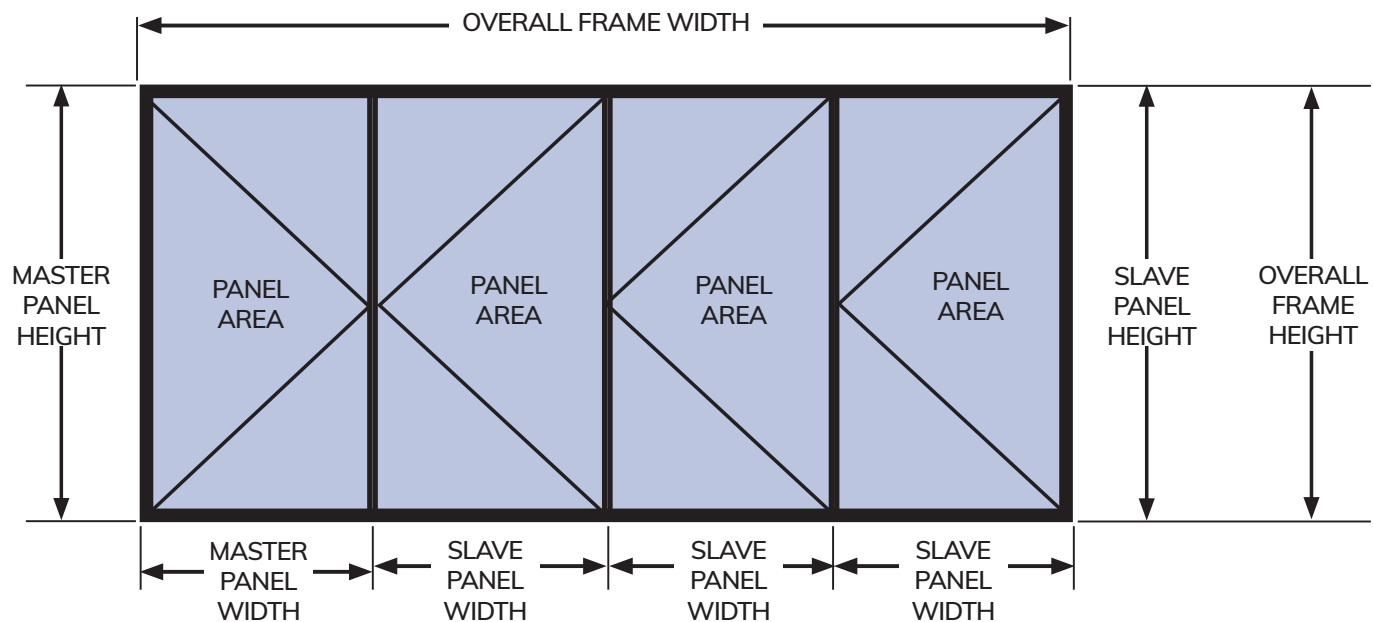
Given the custom nature of Rylock Commercial Series Bifold Doors, product sizes are virtually limitless, provided compliance with Australian Standards is met. Page 7 of this technical resource details Rylock's sizing matrix for Bifold Door Panels which comply with NCC requirements. These resources are best used in consultation with your Rylock Sales Consultant.

Rylock Commercial Series Bifold Doors are available in 2, 3, 4, 5 and 6-panel configurations with varied combinations of left and righthand opening master and slave panels.

This diagram (below) is an example of a Bifold Door in a 4 panel configuration with 1 master panel to the left and 3 slave panels which open to the right.

No products can be coupled to the Commercial Series Bifold Door.

Refer to page 7 for the Bifold Door Panel Sizing Matrix.



Bifold Door

COMMERCIAL SERIES - 125mm FRAME

WIND RATING

Up to and including:

N3

Unless specified otherwise

FRAME HEIGHT (mm)	PANEL WIDTH (mm)									NO. OF HINGES	
	600	650	700	750	800	850	900	950	1000		
1100	!	!	!							3 HINGES	
1150	!	!									
1200	!	!									
1250	!	!									
1300	!	!									
1350	!	!									
1400	!	!									
1450	!	!									
TO	!	FROM 1500mm to 2000mm									
2050	!										
2100	!										
2150	!										
2200	!										
2250	!										
2350	!										
2400	!										
2450	!										
2500	!										
2550	!										
2600	!									4 HINGES	
2650	!										
2700	!										
2750	!										
2800	!										
2850	!										
2900	!										
2950	!										
3000	!										
3050	!										

BIFOLD DOOR PANEL SIZING MATRIX


These technical resources are best used in consultation with your Rylock Sales Consultant.

Notes:

- The shaded regions display the allowable sizes for compliance with human impact and non-exposed locations in N1 - N3.

- All sizes are based on Outer Frame height and Panel width (not glass dimensions).

- Additional hinges will be installed to each panel when frame height is above 2550mm.

 Compression on panels will be considerable at highlighted widths.

ITEM	HARDWARE OPTIONS	PANEL PARAMETERS			
		Height		Width	
		Min	Max	Min	Max
1	N3 and lower	1100mm	3050mm	600mm	1000mm
2	N1 and N2 only	2750mm	3050mm	650mm	1000mm

Bifold Door

COMMERCIAL SERIES - 125mm FRAME

INSTALLATION RESOURCES

These technical resources are best used in consultation with your Rylock Sales Consultant.



Rylock has extensive resources to support customers in the best practice application of its products. Our extensive online library has technical resources including product x-section drawings in PDF and DWG format, typical building-in installation detail with 3D interactive renders, as well as operation and adjustment videos.

The most vital aspect of correct function is correct installation and it is recommended that the manufacturer's specification is always followed as improper installation can lead to air infiltration, moisture and poor overall product performance. Rylock has comprehensive typical building-in detail for four common wall types to assist installers:

- Lightweight Cladding | Linea Board
- Lightweight Cladding | Hebel PowerPanel
- Brick Veneer; and
- Double Brick

[View the CS Series Bifold Door Installation Guide](#)

SCAN QR CODE FOR INSTALLATION GUIDE

Technical Resources on this page include:

- 3D Interactive Renders
- Typical Building-In Detail CAD Drawings
- Link to the NCC (requires login)
- AGWA Fixing Guide (PDF download)

