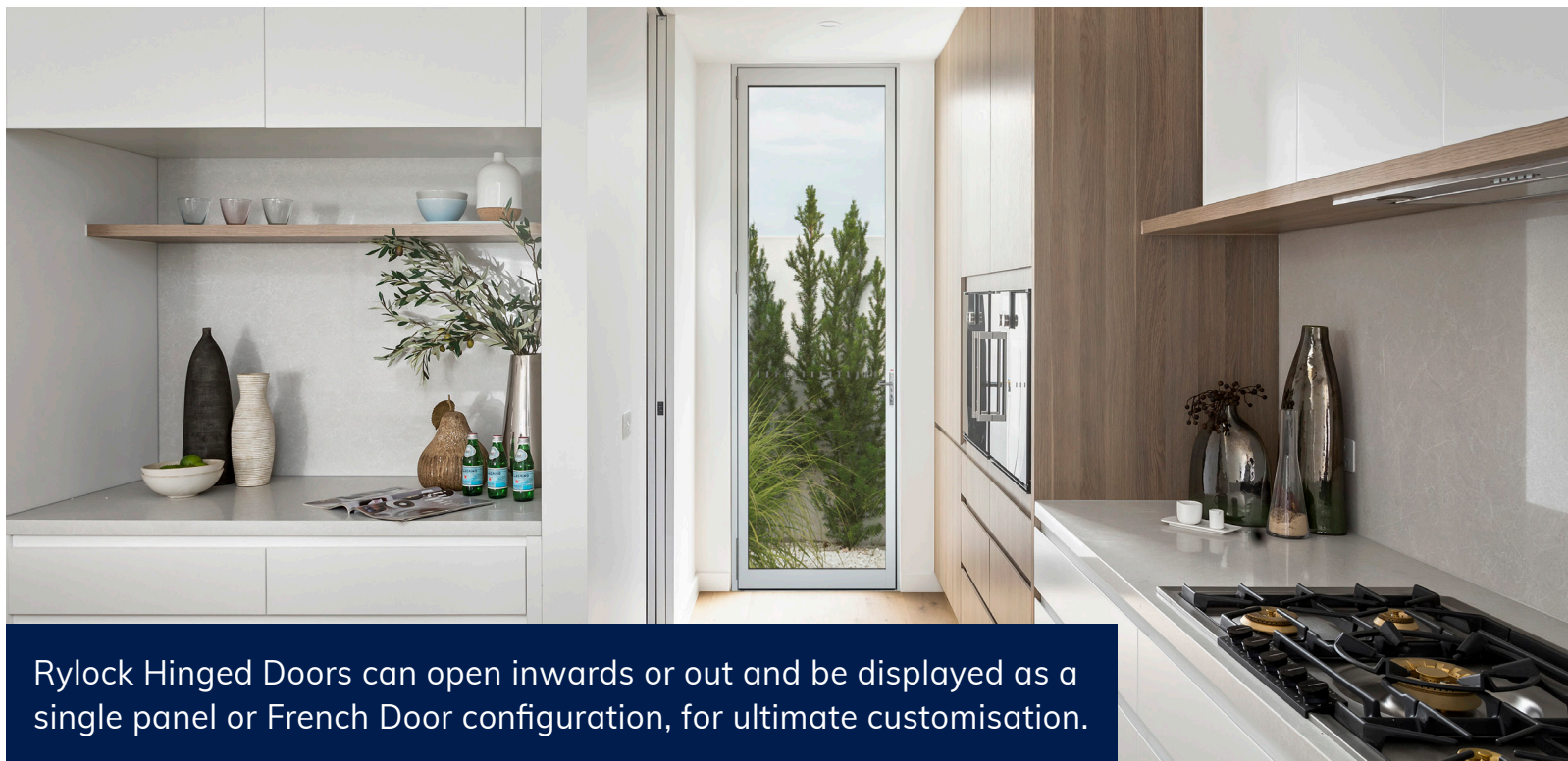


# Hinged Door

COMMERCIAL SERIES - 125mm FRAME

## PRODUCT SPECIFICATION SHEET



Rylock Hinged Doors can open inwards or out and be displayed as a single panel or French Door configuration, for ultimate customisation.

The Commercial Series Hinged Door features a 50mm sill that can be rebated for "zero threshold" installation. The product's heavy duty extrusions are assembled with stainless steel fixing plates to maintain the panel's squareness and durability.

Quality seals along the perimeter of the frame and panel ensure resistance against air and water infiltration for compliance with AS 2047 *Windows and External Glazed Doors*.

Frame only options allow a timber door panel to be fitted, where the frame can be coupled to other Commercial Series products with a 125mm product depth.

Hinged Doors are glazed in accordance with AS 1288 *Glass in Buildings* and whilst a large

range of options are available, all products are glazed with Grade A Safety Toughened Low-e Double Glazing (Argon Fill) as a standard specification.

Commercial Series Hinged Doors can be fitted with a wide range of hardware options, which are available in black, white and satin-brushed stainless steel colours. Products are powder coated in-house from a selection of 30 standard colours and textures, tested by CSIRO for durability.

Rylock manufactures products designed to meet your particular site conditions. Speak with a Rylock Sales Consultant about your next project to achieve a custom solution.

### TECHNICAL SPECIFICATIONS

Max Product Height	3050mm
Max Product Width	1250mm
Max Panel Height	2940mm <sup>(1)</sup>
Max Panel Width	1085mm <sup>(1)</sup>

Glazing Capacity	4mm - 25mm
------------------	------------

Wind Rating	N1 - N3
-------------	---------

Air Infiltration	1.2 - 2.1 L/s.m <sup>2</sup>
------------------	------------------------------

Water Resistance	150 - 200 Pa
------------------	--------------

<sup>(1)</sup> Panel height and width are relative measures, and must comply with maximum area and mass limitations (on page 7).

### ENERGY PERFORMANCE

U <sub>w</sub> Value	3.1 - 4.0 <sup>(2)</sup>
----------------------	--------------------------

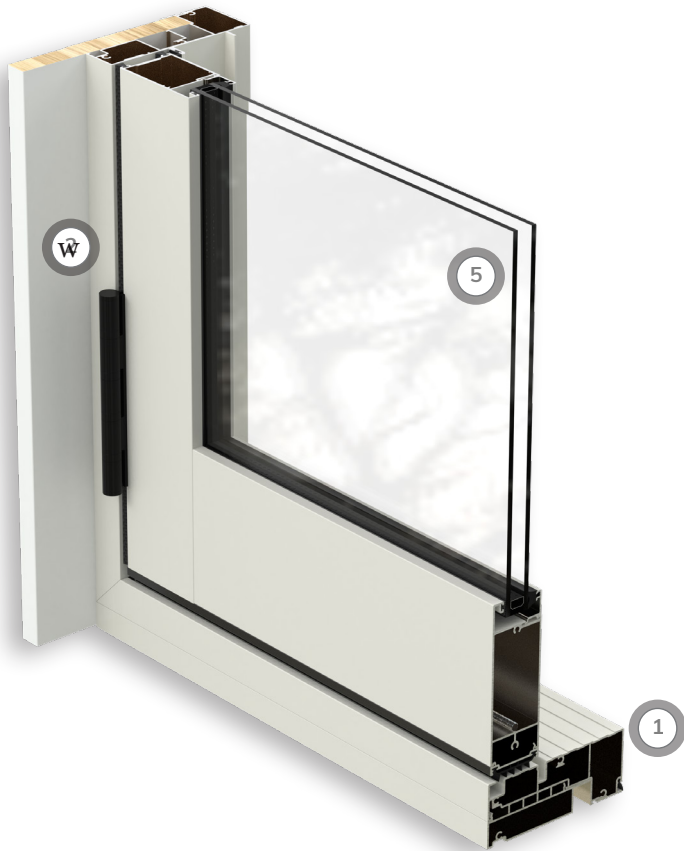
SHGC <sub>w</sub> Range	0.18 - 0.48 <sup>(2)</sup>
-------------------------	----------------------------

<sup>(2)</sup> Energy results are product and size specific. As product sizes reduce, energy values increase and are determined by the low-e double glazing solutions specified for your project. Visit [rylock.com.au/resources/wers-results/](http://rylock.com.au/resources/wers-results/) for information.

# Hinged Door

## COMMERCIAL SERIES - 125mm FRAME

Rylock Commercial Series Hinged Doors are endlessly customisable, offering stunning architectural designs and many outstanding features:



 NOISE SOLUTION

 BUSHFIRE SOLUTION

 SECURITY SOLUTION

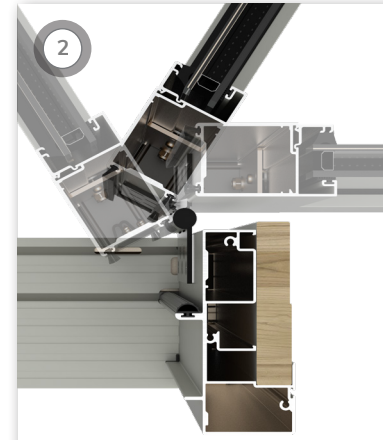
 ACCESS & MOBILITY

## PRODUCT FEATURES

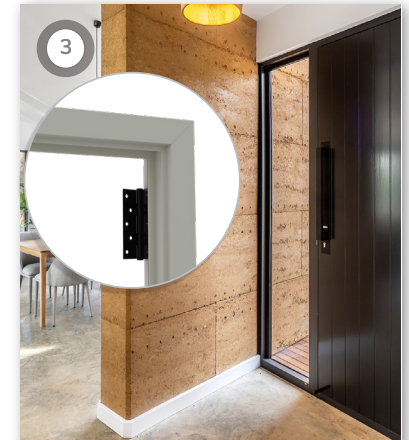
Powder coat frame and hardware colours displayed for visual contrast purposes only.



**50mm Sill** can be rebated for "zero threshold" installation, making it an ideal assisted living solution.



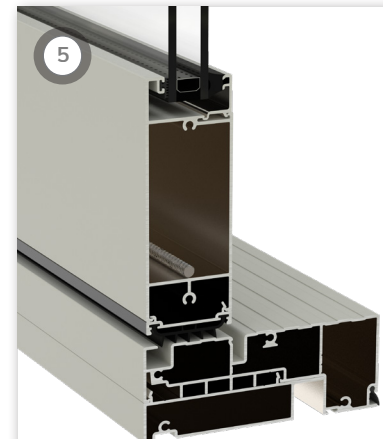
Heavy duty **Hinges** allow the panel to rotate 180°, when the frame is aligned with the exterior of the building.



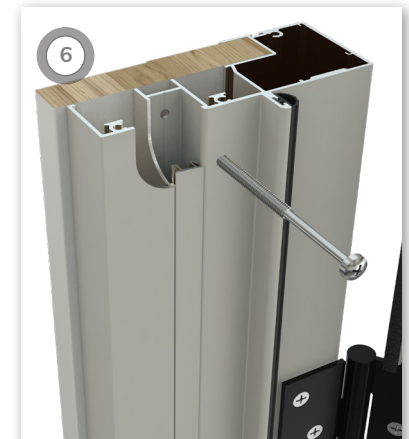
**Frame Only Option** accommodates a timber door panel, fitted with Austyle stainless steel hinges.



Stainless steel **Fixing Plates** safeguard the panel's squareness and durability at the largest of sizes.



IGU standard specification is Grade A Safety Toughened Low-e Double Glazing (Argon Fill).



**Concealed Fixing Pocket** (Open-Out Door Only) allows fixing via the temporary removal of an infill.

# Hinged Door

COMMERCIAL SERIES - 125mm FRAME

## STANDARD HARDWARE OPTIONS

Powder coat frame and hardware colours displayed for visual contrast purposes only.

Rylock offers a selection of high performance hardware solutions for Commercial Series Hinged and French Door configurations, with a range of standard inclusion options:

### \*MY LOCK LATCH w/ DDA LEVER

The \*myLock Latch w/ DDA Lever (bottom left) features a contemporary design with comfort hold lever and surface mounted keylock and snib, available in 3 colours: black, white and satin-brushed stainless steel.

### \*MY LOCK LATCH w/ TAPERED LEVER

The \*myLock Latch w/ Tapered Lever (bottom centre) features a contemporary design with clean lines and a surface mounted keylock and snib, available in 3 colours: black, white and stain-brushed stainless steel.

\*Standard inclusion hardware options

### SECUREGUARD™ SECURITY & BARRIER DOORS

Rylock offers a range of upgrade SecureGuard™ Security and Barrier Screen Door solutions for Commercial Series Open-In Hinged Doors (bottom right), and is available in black, white and silver.



\*myLock Latch w/ DDA Lever



\*myLock Latch w/ Tapered Lever



SecureGuard™  
Security & Barrier Doors



myLock Latch w/ DDA Lever in Satin-Brushed Stainless Steel

# Hinged Door

COMMERCIAL SERIES - 125mm FRAME

## PREMIUM HARDWARE UPGRADES

Powder coat frame and hardware colours displayed for visual contrast purposes only.

Rylock offers a selection of premium hardware solutions for Commercial Series Hinged Doors, (note: these options are not compatible with French Doors or when Security & Barrier Screens are fitted).

### MY LOCK ROLLER w/ 325mm HANDLE

The **myLock Roller w/ 325mm Handle** (bottom left) features a contemporary off set tapered design aesthetic, with an escutcheon and snib, available in 3 colours: black, white and satin-brushed stainless steel.

### MY LOCK ROLLER w/ 475mm HANDLE

The **myLock Roller w/ 475mm Handle** (bottom centre) features a contemporary off set tapered design aesthetic, with an escutcheon and snib, available in 3 colours: black, white and satin-brushed stainless steel.

### MY LOCK ROLLER NO HANDLE

The **myLock Roller No Handle** solution (bottom right) features an escutcheon and snib, available in 3 colours: black, white and satin-brushed stainless steel. This allows for the ultimate in customisation, where third-party handles can be fitted to perfectly align with the project's vision.



myLock Roller w/ 325mm Handle



myLock Roller w/ 475mm Handle



myLock Roller No Handle



myLock Roller w/ 475mm Handle in White

# Hinged Door

COMMERCIAL SERIES - 125mm FRAME

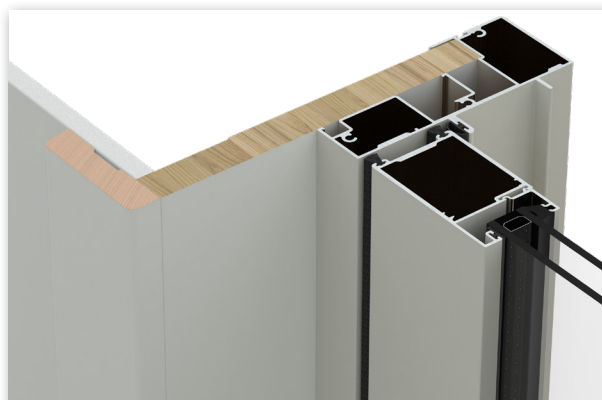
A product's reveal type and depth can be customised to suit various building materials, to achieve a particular architectural style and deliver ultimate customisation.



Example of Plaster Reveal Offset application

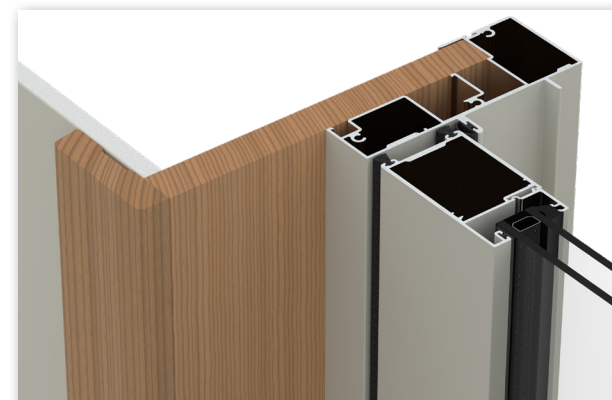
## REVEAL TYPE & DEPTH

Powder coat frame and hardware colours displayed for visual contrast purposes only.



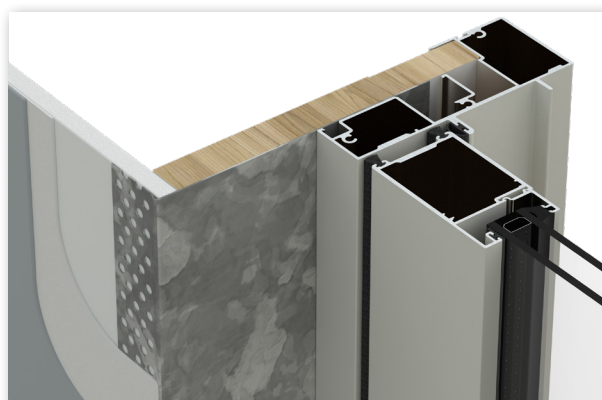
### Primed Timber Reveal

A pre-primed in-line timber reveal for ease of installation is ready for painting. Architrave supplied by others.



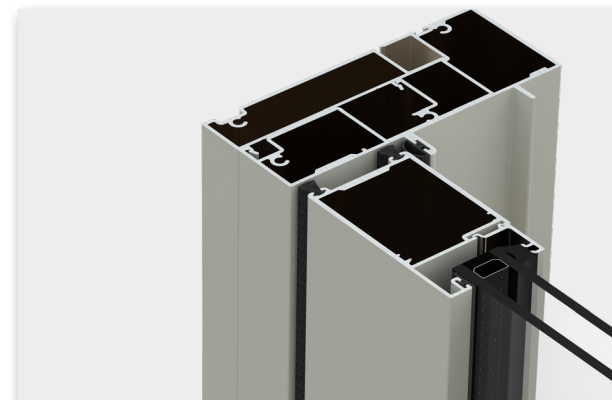
### Hardwood Reveal

Select grade hardwood in-line timber reveal for ease of installation is ready to varnish. Architrave supplied by others.



### Plaster Reveal Offset

Common in modern housing construction (pictured left) products are fitted with a 1.6mm spacer to aid installation of the EzyReveal™ system.



### Reveal Equaliser

A versatile solution which provides a powder coated finish to the full height of the internal surface of the frame with concealed fixing pocket.

# Hinged Door

COMMERCIAL SERIES - 125mm FRAME

# TECHNICAL RESOURCES



V25.2

# Hinged Door

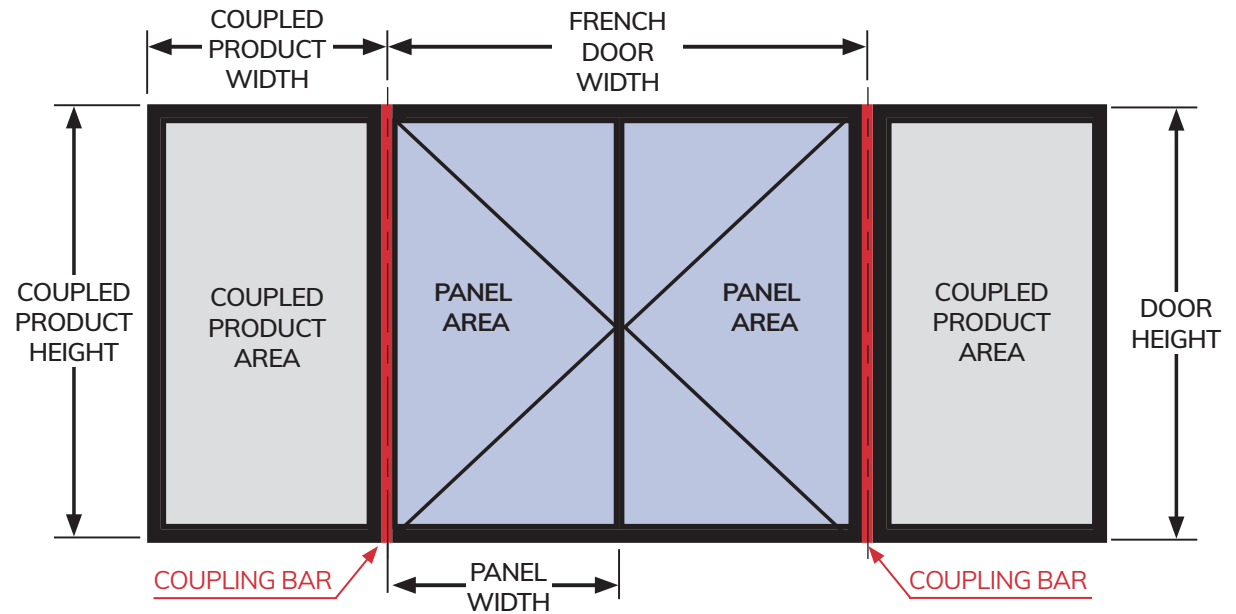
COMMERCIAL SERIES - 125mm FRAME

## SIZING & CONFIGURATIONS

Given the custom nature of Rylock Commercial Series Hinged Doors, product sizes are virtually limitless, provided compliance with Australian Standards is met. Pages 7 to 9 of this technical resource detail Rylock's sizing matrices for Hinged Door (Open In and Open Out) Panels, French Doors and Frame Only options which comply with NCC requirements. These resources are best used in consultation with your Rylock Sales Consultant.

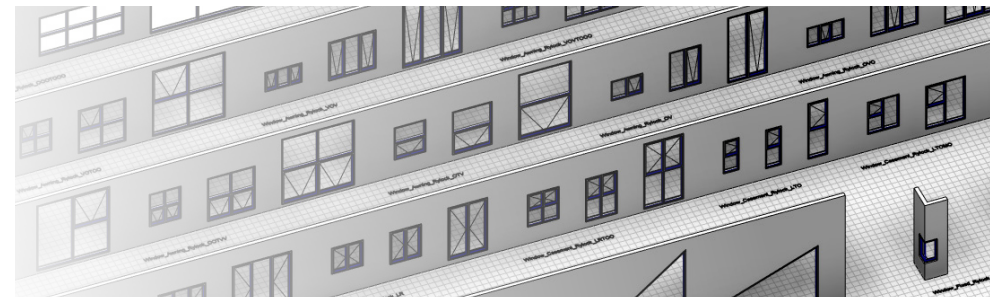
This diagram (right) is an example which highlights the relationship between a Hinged Door and other coupled products. Hinged Doors can be coupled to some other products, (such as Side Lite solutions), provided each individual panel meets the product's compliance requirements.

Refer to page 7 for the Hinged Door Panel Sizing Matrix.  
Refer to page 8 for the French Door Sizing Matrix.  
Refer to page 9 for the Frame Only Sizing Matrix.



Rylock's Commercial Series Revit Library offers a comprehensive family of product configurations for integration into your next project. Parametric modelling aids the specification of Rylock product, with a content library that is comprised of 9 primary product ranges, with 64 separate families that represent a wide range of overall size and configuration options.

Designers and Architects can download the Revit virtual showroom, product library and user guide at our website: [www.rylock.com.au/resources/specify](http://www.rylock.com.au/resources/specify)



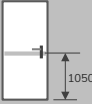


# Hinged Door

COMMERCIAL SERIES - 125mm FRAME

## HINGED DOOR FRAME SIZING MATRIX

These technical resources are best used in consultation with your Rylock Sales Consultant.

WIND RATING Up to and including: <b>N3</b> Non-Exposed		FRAME WIDTH (mm)												SCREEN DOORS ONLY AVAILABLE WITH OPEN-IN HINGED DOORS
		700	750	800	850	900	950	1000	1050	1100	1150	1200	1250	
FRAME HEIGHT (mm)	1800													BARRIER SCREEN for heights between 1800 - 2095mm 
	1850													
	1900													
	1950													
	2000													
	2050													SECURITY SCREEN for heights between 2100 - 2750mm  NO Spreader Bars
	2100													
	2150													
	2200													
	2250													
	2300													1x Spreader Bar positioned at 1050mm from underside of door 
	2350													
	2400													
	2450													
	2500													
	2550													
	2600													
	2650													
	2700													
	2750													
2800														
2850														
2900														
2950														
3000														
3050														

**Notes:**

- Rail clamping rods are fitted to Panels exceeding 59kg's and/or 1095mm wide HD's
- The sizes shown are compliant with human impact and wind rating N1 - N3 non-exposed.
- Hinged Doors must be protected above door (eg: suitable head flashing or drip moulds etc.)
- Screen doors are only available with Open-In Hinged Doors as the screen doors open outwards.
- Barrier Screens are available for heights between 1800mm - 2095mm to allow for fitment of a 1-point lock.
- Security Screens are only available for heights between 2100mm - 3050mm to allow for fitment of a 3-point lock.
- All screen handles are positioned 1200mm from the underside of the outer frame to the centre of escutcheon.
- When 1 x Spreader Bar is required, this will be positioned at 1050mm from the underside of the door to align with manifestation.
- All sizes are based on outer frame dimensions, (not glass dimensions).

		FRAME PARAMETERS			
		Height		Width	
ITEM	KEY CONSIDERATIONS	Min	Max	Min	Max
1	Standard Panel	1200mm	3050mm	735mm	1250mm
2	Panel with Rail Rods	1200mm	3050mm	900mm	1250mm

# Hinged Door

COMMERCIAL SERIES - 125mm FRAME

## FRENCH DOOR FRAME SIZING MATRIX

This technical resource is for French Doors with two equal panels.  
These technical resources are best used in consultation with your Rylock Sales Consultant.

WIND RATING Up to and including: <b>N3</b> Non-Exposed		Non-Active Panel Latches and positioning		FRAME WIDTH (mm)															
		Sill	Head	1400	1450	1500	1550	1600	1650	1700	1750	1800	1850	1900	1950	2000			
FRAME HEIGHT (mm)	1800	Non-Active Panel Latch at the Sill is fitted circa 600mm up from the bottom of the Hinged Door Sill	Flushbolt is fitted circa 300mm down from the top of the Door Panel																
	1950																		
	2000																		
	2050																		
	2100																		
	2150																		
	2200																		
	2250																		
	2300																		
	2350																		
	2400																		
	2450																		
	2500		Non-Active Panel Latch at the Sill is fitted circa 600mm up from the bottom of the Hinged Door Sill	Flushbolt is fitted circa 300mm down from the top of the Door Panel															
	2550																		
	2600																		
	2650																		
	2700																		
	2750																		
	2800																		
	2850																		
2900																			
2950																			
3000																			
3050																			

**Notes:**

- The sizes shown are compliant with human impact and wind ratings N1 - N3 non-exposed.
- Hinged Doors must be protected above door (eg: suitable head flashing or drip moulds etc.)
- Screens are NOT available for any French Door (no matter the size). Wide Stile is also not available.
- All sizes are based on outer frame dimensions, (not glass dimensions).
- Overall width shown in matrix is for French Doors with equal panels.
- For French Doors with unequal panels the following restrictions apply:
  - a) Refer to single panel matrix for Master panel (no wide stile allowed).
  - b) Use single panel table for Master (no wide stile allowed).

OUTER FRAME PARAMETERS			
Height		Width	
Min	Max	Min	Max
1800mm	3050mm	1400mm	2000mm

# Hinged Door

COMMERCIAL SERIES - 125mm FRAME

## FRAME ONLY SIZING MATRIX

These technical resources are best used in consultation with your Rylock Sales Consultant.

**WIND RATING**

Up to and including:

**N3**

**FRAME WIDTH (mm)**

FRAME HEIGHT (mm)	FRAME WIDTH (mm)																	
	700	750	800	850	900	950	1000	1050	1100	1150	1200	1250	1300	1350	1350	1400	1450	1500
1800																		
1850																		
1900																		
1950																		
2000																		
2050																		
2100																		
2150																		
2200																		
2250																		
2300																		
2350																		
2400																		
2450																		
2500																		
2550																		
2600																		
2650																		
2700																		
2750																		
2800																		
2850																		
2900																		
2950																		
3000																		
3050																		

**Notes:**

- The shaded regions display the supplied hinges fitted to the frame.
- Screw fix through hinges/jamb into the studwork.
- Panel must be 40mm-45mm thick and MUST NOT weigh more than 130kg.
- The sizes shown are compliant for wind rating N1 - N3 non-exposed.
- Hinged Doors must be protected above door (eg: suitable head flashing or drip moulds etc.)
- All sizes are based on outer frame dimensions, (not panel dimensions).
- A site is 'Exposed' if terrain category is TC2 or less, topography class is T3 or greater, or if there is no shielding.
- Flyscreens are not available.
- 8 Hinges are supplied for French Door "frame only" for 2450mm and under, and 10 Hinges for 2455mm = 3050mm.

ITEM	KEY CONSIDERATIONS	PANEL PARAMETERS			
		Height		Width	
		Min	Max	Min	Max
1	4 x Hinges supplied	1800mm	2450mm	700mm	1200mm
2	5 x Hinges supplied	2500mm	3050mm	700mm	1500mm
3	French Door Frame Only	1800mm	3050mm	1400mm	2000mm

# Hinged Door

COMMERCIAL SERIES - 125mm FRAME

## INSTALLATION RESOURCES

These technical resources are best used in consultation with your Rylock Sales Consultant.



Rylock has extensive resources to support customers in the best practice application of its products. Our extensive online library has technical resources including product x-section drawings in PDF and DWG format, typical building-in installation detail with 3D interactive renders, as well as operation and adjustment videos.

The most vital aspect of correct function is correct installation and it is recommended that the manufacturer's specification is always followed as improper installation can lead to air infiltration, moisture and poor overall product performance. Rylock has comprehensive typical building-in detail for four common wall types to assist installers:

- Lightweight Cladding | Linea Board
- Lightweight Cladding | Hebel PowerPanel
- Brick Veneer; and
- Double Brick

[View the Commercial Series Hinged Door Installation Guide](#)

### SCAN QR CODE FOR INSTALLATION GUIDE

Technical Resources on this page include:

- 3D Interactive Renders
- Typical Building-In Detail CAD Drawings
- Link to the NCC (requires login)
- AGWA Fixing Guide (PDF download)

