

Sliding Door

COMMERCIAL SERIES - 125mm FRAME

PRODUCT SPECIFICATION SHEET



Rylock Sliding Doors are custom made to maximum sizes in 2, 3 or 4-panel configurations for an effortless transition between indoor and outdoor spaces.

Featuring a 50mm sill that can be rebated for zero threshold installation, the Commercial Series Sliding Door features heavy duty extrusions for strength and durability, reaching heights up to 3 metres. Adjustable Rollers with stainless steel bearings and a chevron-profiled replaceable Sill Track provide ease of operation, whilst a rubber stop (fitted to the panel) ensures there is no damage to the frame when the door is opened.

Quality seals provide resistance against air and water infiltration for exceptional results in AS 2047 Windows and External Glazed Doors compliance testing. Sliding Doors are glazed in accordance with AS 1288 Glass in Buildings and whilst a large range of options are

available, all products are glazed with Grade A Safety Toughened Low-e Double Glazing (Argon Fill) as a standard specification. Sliding Doors can be fitted with a wide range of hardware options, most of which are available in 3 colours. Extruded flyscreen doors are fitted as a standard inclusion, and products are powder coated in-house from a selection of 30 standard colours and textures and tested by the CSIRO for durability.

Rylock manufacture products designed to meet your particular site conditions and any existing requirements, to achieve the best results. Speak with a Rylock Sales Consultant about your home or next project to achieve a custom, high performance solution.

TECHNICAL SPECIFICATIONS

Max Product Height	3050mm
Max Product Width	12000mm
Max Panel Height	3050mm ⁽¹⁾
Max Panel Width	2400mm ⁽¹⁾

Glazing Capacity	4mm - 24.76mm
------------------	---------------

Wind Rating	N1 - N3
-------------	---------

Air Infiltration	0.5 L/s.m ²
------------------	------------------------

Water Resistance	360 Pa
------------------	--------

⁽¹⁾ Panel height and width are relative measures, and must comply with maximum area and mass limitations (on page 7).

ENERGY PERFORMANCE

U _w Value	2.5 - 3.7 ⁽²⁾
----------------------	--------------------------

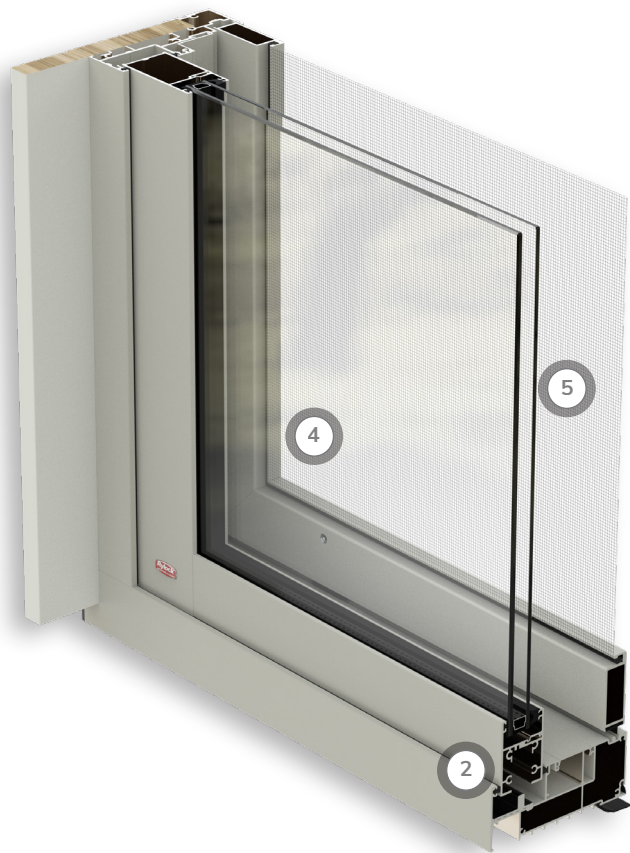
SHGC _w Range	0.23 - 0.64 ⁽²⁾
-------------------------	----------------------------

⁽²⁾ Energy results are product and size specific. As product sizes reduce, energy values increase and are determined by the low-e double glazing solutions specified for your project. Visit rylock.com.au/resources/wers-results/ for information.

Sliding Door

COMMERCIAL SERIES - 125mm FRAME

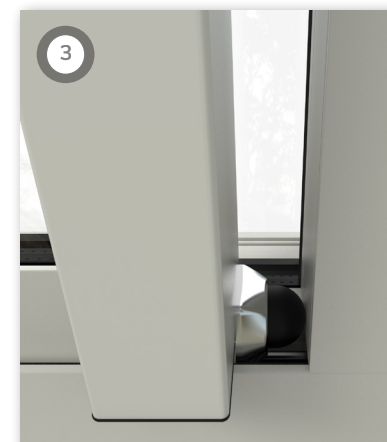
Rylock Commercial Series Sliding Doors are endlessly customisable, offering stunning architectural designs and many outstanding features:



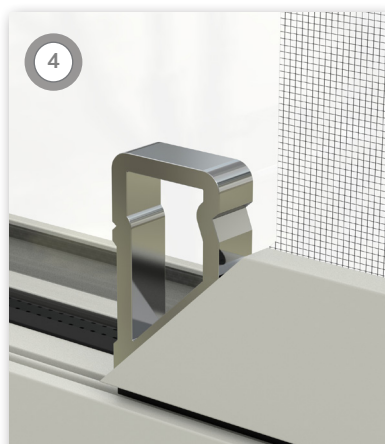
Two double-axe **Adjustable Rollers** with stainless steel bearings and acetal tyres support each panel.



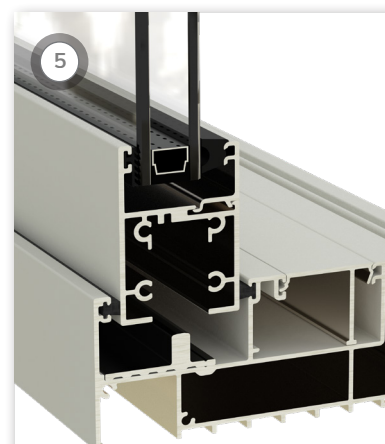
A replaceable, chevron-profiled **Sill Track** is anodised for strength and durability.



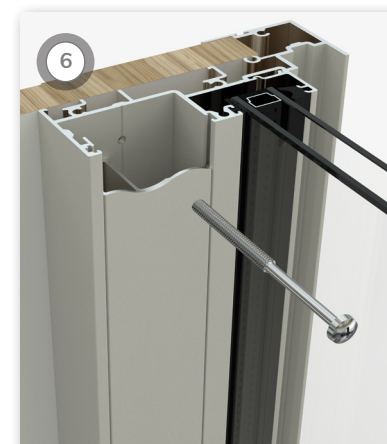
Stainless Steel and Rubber Panel Stop ensures no damage to the frame when the panel is opened.



Standard inclusion **Extruded Flyscreens** with various mesh options feature a hidden **Corner Stake**.



IGU standard specification is Grade A Safety Toughened Low-e Double Glazing (Argon Fill).



Concealed Fixing Pocket allows the window to be secured via the temporary removal of a product infill.

 NOISE SOLUTION

 SECURITY SOLUTION

 BUSHFIRE SOLUTION

 ACCESS & MOBILITY

PRODUCT FEATURES

Powder coat frame and hardware colours displayed for visual contrast purposes only.

Sliding Door

COMMERCIAL SERIES - 125mm FRAME

Rylock offers a selection of high performance hardware solutions for Commercial Series Sliding Doors, with a range of standard inclusion options:

*ONYX SLIMLINE HANDLE

The ***Onyx Slimline Handle** (top left) features a contemporary design with clean lines and a surface mounted keylock and snib, available in 3 colours: black, white and powder coat silver.

*ONYX D HANDLE

The ***Onyx D Handle** (top right) features a classic design with comfort hold handle and a surface mounted keylock and snib, available in 3 colours: black, white and powder coat silver.

*FLYSCREEN DOOR w/ MAGNETIC LATCH

Rylock Commercial Series Sliding Doors come standard with an extruded ***Flyscreen Door with Magnetic Latch** (bottom left) which is fitted to the exterior of the product. The Flyscreen Door features a black only magnetic latch which can be engaged to discourage insects from entering the home, whilst promoting ventilation.

Speak with your Rylock Sales Consultant about additional mesh options, including stainless steel for Bushfire Attack Level (BAL) site requirements, and pet-mesh solutions.

*Standard inclusion hardware options

SECUREGUARD™ SECURITY & BARRIER DOORS

Rylock offers a range of upgrade **SecureGuard™ Security and Barrier Screen Door** solutions for Commercial Series products. The SecureGuard™ Commercial Series Sliding Door (bottom right) has been manufactured to stringent quality specifications and tested in accordance with AS4145, and is available in black, white and silver.

STANDARD HARDWARE OPTIONS

Powder coat frame and hardware colours displayed for visual contrast purposes only.



*Onyx Slimline Handle



*Onyx D Handle



*Flyscreen Door w/ Magnetic Latch



SecureGuard™ Security & Barrier Doors

Sliding Door

COMMERCIAL SERIES - 125mm FRAME

Rylock offers a selection of high performance hardware solutions for Commercial Series Sliding Doors, with a range of premium hardware upgrade options:

MY LOCK w/ 325mm HANDLE

The **myLock w/ 325mm Handle** (top left) features a contemporary off set tapered design aesthetic, with an escutcheon and snib, available in 3 colours: black, white and satin-brushed stainless steel.

MY LOCK w/ 475mm HANDLE

The **myLock w/ 475mm Handle** (top right) features a contemporary off set tapered design aesthetic, with an escutcheon and snib, available in 3 colours: black, white and satin-brushed stainless steel.

MY LOCK w/ FLUSH PULL HANDLE

The **myLock w/ Flush Pull Handle** (bottom left) is a recessed pull handle with concealed fixings for a discrete, elegant finish. It features an escutcheon and snib, and is available in 3 colours: black, white and satin-brushed stainless steel.

MY LOCK SLIDING NO HANDLE

The **myLock Sliding Lock No Handle** solution (bottom right) features an escutcheon and snib, available in 3 colours: black, white and satin-brushed stainless steel. This allows for the ultimate in customisation, where third-party handles can be fitted to perfectly align with the project's vision.

PREMIUM HARDWARE UPGRADES

Powder coat frame and hardware colours displayed for visual contrast purposes only.



Sliding Door

COMMERCIAL SERIES - 125mm FRAME

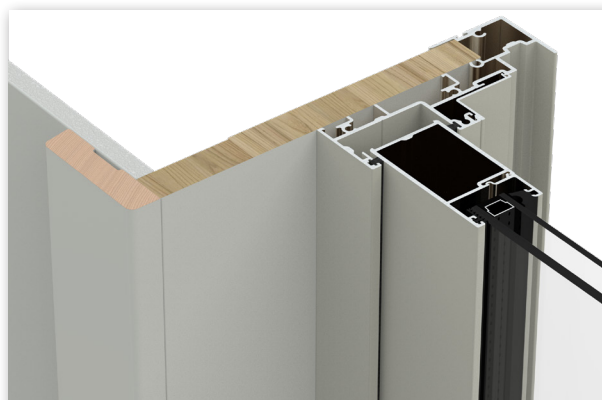
A product's reveal type and depth can be customised to suit various building materials, to achieve a particular architectural style and deliver ultimate customisation.



Example of Plaster Reveal Offset application

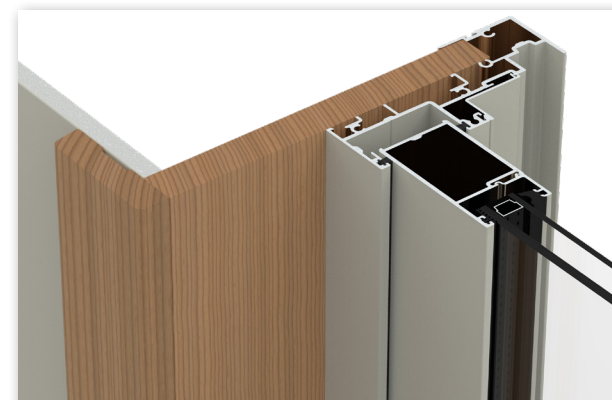
REVEAL TYPE & DEPTH

Powder coat frame and hardware colours displayed for visual contrast purposes only.



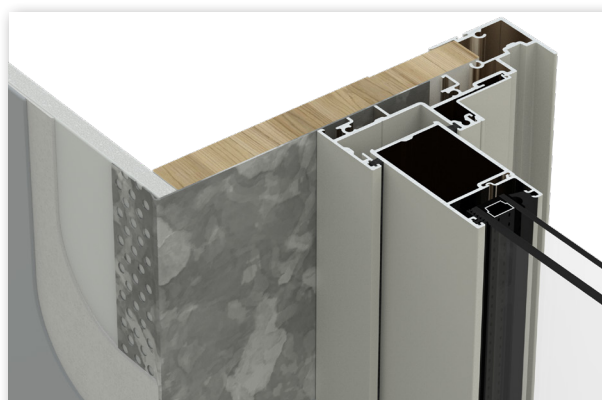
Primed Timber Reveal

A pre-primed in-line timber reveal for ease of installation is ready for painting.
Architrave supplied by others.



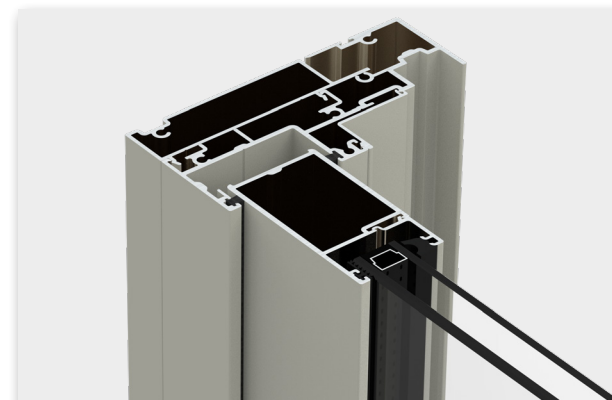
Hardwood Reveal

Select grade hardwood in-line timber reveal for ease of installation is ready to varnish.
Architrave supplied by others.



Plaster Reveal Offset

Common in modern housing construction (pictured left) products are fitted with a 1.6mm spacer to aid installation of the EzyReveal™ system.



Reveal Equaliser

A versatile solution which provides a powder coated finish to the full height of the internal surface of the frame with concealed fixing pocket.

Sliding Door

COMMERCIAL SERIES - 125mm FRAME

TECHNICAL RESOURCES



V25.3

Sliding Door

COMMERCIAL SERIES - 125mm FRAME

SIZING & CONFIGURATIONS

Given the custom nature of Rylock Commercial Series Sliding Doors, product sizes are virtually limitless, provided compliance with Australian Standards is met. Pages 7 to 11 of this technical resource detail Rylock's sizing matrices for Sliding Door Panels, Fiberglass and Stainless Steel Flyscreen Doors, and Security and Barrier Door options which comply with NCC requirements. These resources are best used in consultation with your Rylock Sales Consultant or alongside Rylock's Revit Library, which features in-built sizing limitations.

Rylock Commercial Series Sliding Doors are available in 2, 3 and 4 panel configurations, and feature an integral flyscreen door, fitted to the exterior of the product.

This diagram (right) is an example which highlights the relationship between Sliding Doors and other coupled products. Commercial Series Sliding Doors can be coupled to other products with a 125mm depth, provided each individual panel meets the product's compliance requirements.

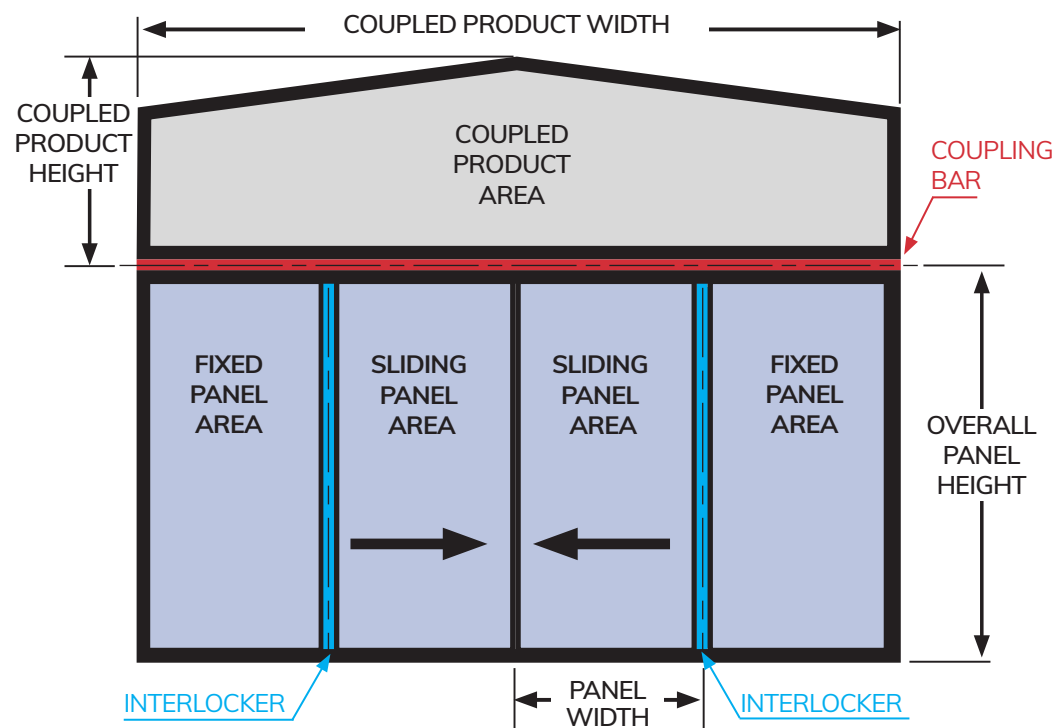
Refer to page 7 for the N1 & N2 Sliding Door Panel Sizing Matrix.

Refer to page 8 for the N3 Sliding Door Panel Sizing Matrix.

Refer to page 9 for the Fibre Glass Flyscreen Panel Sizing Matrix.

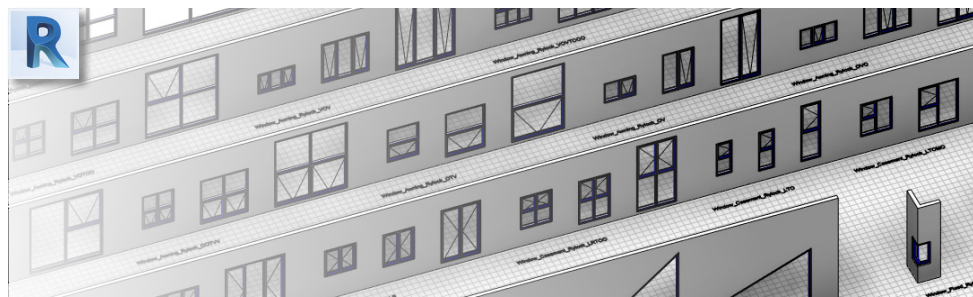
Refer to page 10 for the Stainless Steel Flyscreen Panel Sizing Matrix.

Refer to page 11 for the Security and Barrier Screen Panel Sizing Matrix.



Rylock's Commercial Series Revit Library offers a comprehensive family of product configurations for integration into your next project. Parametric modelling aids the specification of Rylock product, with a content library that is comprised of 8 primary product ranges, with 64 separate families that represent a wide range of overall size and configuration options.

Designers and Architects can download the Revit virtual showroom, product library and user guide at our website: www.rylock.com.au/resources/specify

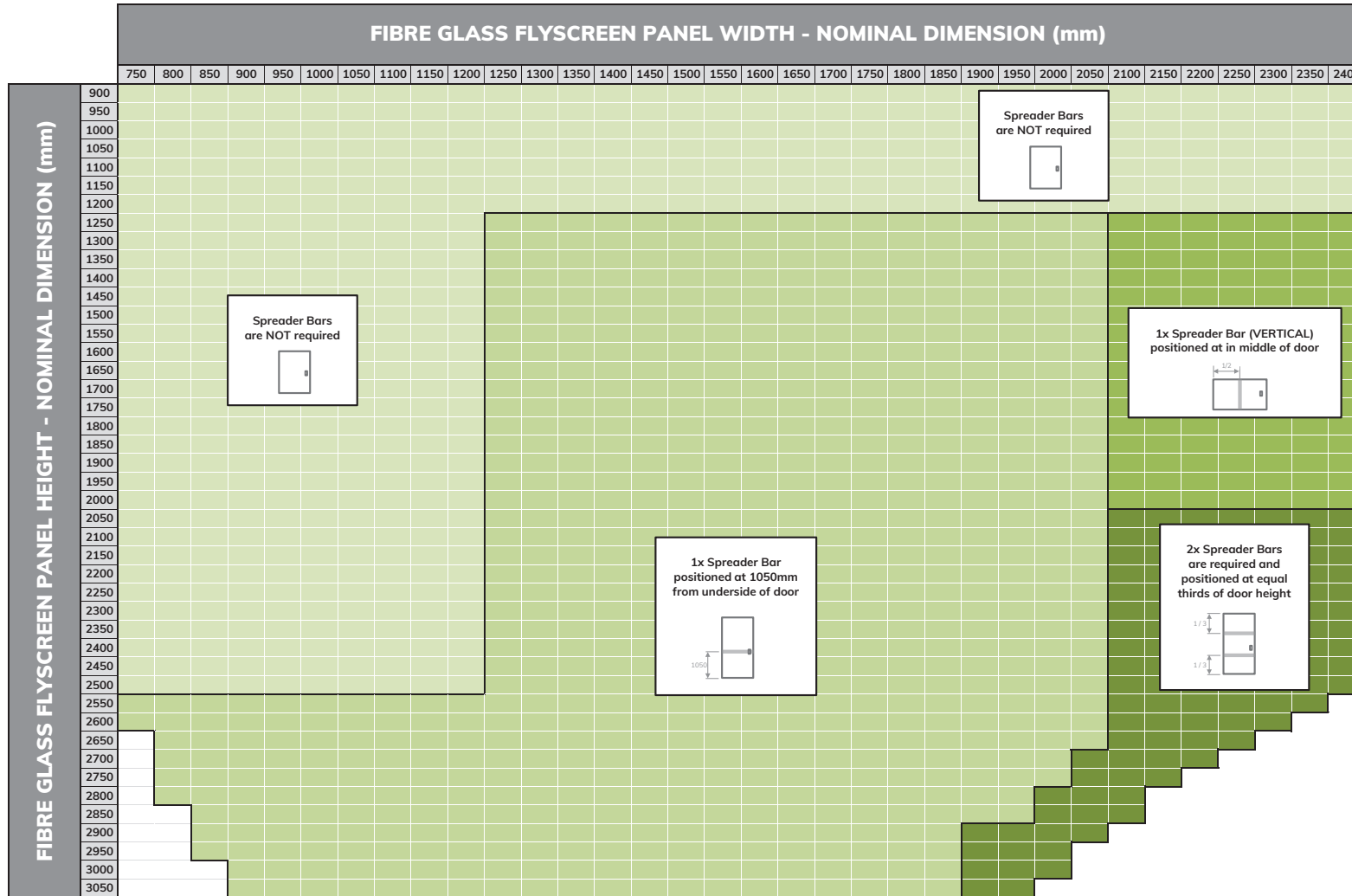


Sliding Door

COMMERCIAL SERIES - 125mm FRAME

FIBRE GLASS FLYSCREEN PANEL SIZING MATRIX

These technical resources are best used in consultation with your Rylock Sales Consultant.



Notes:

- The shaded regions display the sizes of fibre glass flyscreens available with Spreader Bars as specified.
- When 1 x Spreader Bar is required, it will be positioned at 1050mm from the underside of the door to align with manifestations.
- When 2 x Spreader Bars are required, they will be positioned at 1/3 and 2/3 of the overall height.
- All sizes shown are for both standard flyscreen as well as the more durable pet mesh. Neither can be used in BAL zones ≥ 12.5 .

SCREEN DOOR PARAMETERS

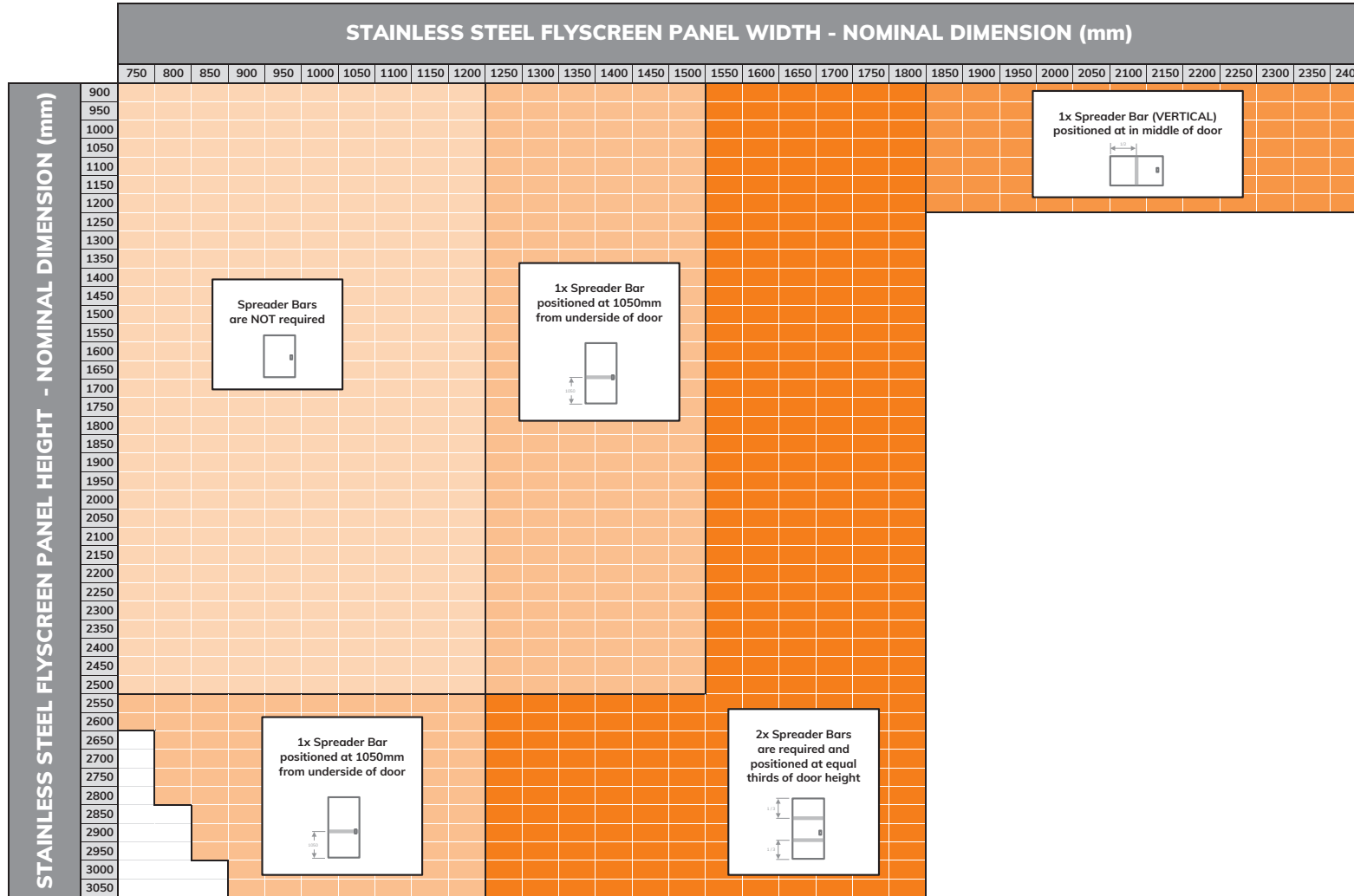
ITEM	SPREADER BARS	Height		Width	
		Min	Max	Min	Max
1	No Spreader Bars	900mm	2550mm	750mm	2400mm
2	1 x Horizontal Spreader Bar	900mm	3050mm	750mm	2050mm
3	1 x Vertical Spreader Bar	1250mm	2050mm	2050mm	2400mm
4	2 x Horizontal Spreader Bar	2050mm	3050mm	1850mm	2400mm

Sliding Door

COMMERCIAL SERIES - 125mm FRAME

STAINLESS STEEL FLYSCREEN PANEL SIZING MATRIX

These technical resources are best used in consultation with your Rylock Sales Consultant.



Notes:

- The shaded regions display the sizes of stainless steel flyscreens available with Spreader Bars as specified.
- When 1 x Spreader Bar is required, it will be positioned at 1050mm from the underside of the door to align with manifestations.
- When 2 x Spreader Bars are required, they will be positioned at 1/3 and 2/3 of the overall height.
- Stainless Steel Flyscreens are required for BAL-40 zones.

SCREEN DOOR PARAMETERS

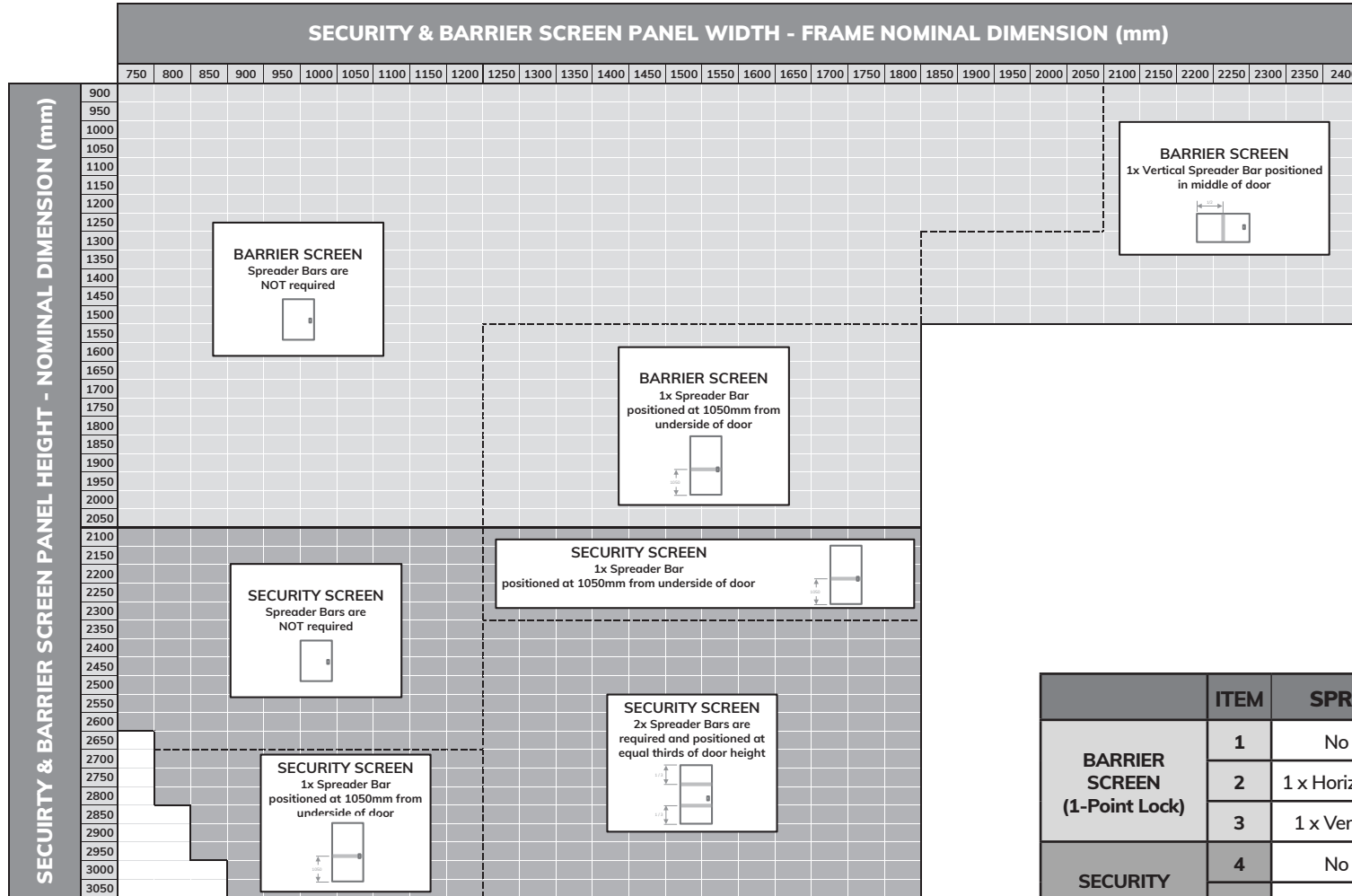
ITEM	SPREADER BARS	Height		Width	
		Min	Max	Min	Max
1	No Spreader Bars	900mm	2545mm	750mm	1245mm
2	1 x Horizontal Spreader Bar	900mm	3050mm	750mm	1545mm
3	1 x Vertical Spreader Bar	900mm	1245mm	1850mm	2400mm
4	2 x Horizontal Spreader Bar	900mm	3050mm	1250mm	1800mm

Sliding Door

COMMERCIAL SERIES - 125mm FRAME

SECURITY & BARRIER SCREEN PANEL SIZING MATRIX

These technical resources are best used in consultation with your Rylock Sales Consultant.



SCREEN DOOR PARAMETERS

		Height		Width		
	ITEM	SPREADER BARS	Min	Max	Min	Max
BARRIER SCREEN (1-Point Lock)	1	No Spreader Bars	900mm	2095mm	750mm	1245mm
	2	1 x Horizontal Spreader Bar	1500mm	2095mm	1250mm	1800mm
	3	1 x Vertical Spreader Bar	900mm	1545mm	1250mm	2400mm
SECURITY SCREEN (3-Point Lock)	4	No Spreader Bars	2100mm	2695mm	750mm	1245mm
	5	1 x Horizontal Spreader Bar	2100mm	3050mm	750mm	1800mm
	6	2 x Horizontal Spreader Bar	2700mm	3050mm	1250mm	1800mm

Notes:

- The shaded regions display the screen classification and the number of Spreader Bars required.
- Barriers Screen are only available for heights between 1500mm - 2095mm to allow for fitment of a 1-point lock.
- Security Screens are only available for heights between 2100mm - 3050mm to allow for fitment of a 3-point lock.
- When 1 x Spreader Bar is required, it will be positioned at 1050mm from the underside of the door to align with manifestations.
- When 2 x Spreader Bars are required, they will be positioned at 1/3 and 2/3 of the overall height.

Sliding Door

COMMERCIAL SERIES - 125mm FRAME

INSTALLATION RESOURCES

These technical resources are best used in consultation with your Rylock Sales Consultant.



Rylock has extensive resources to support customers in the best practice application of its products. Our extensive online library has technical resources including product x-section drawings in PDF and DWG format, typical building-in installation detail with 3D interactive renders, as well as operation and adjustment videos.

The most vital aspect of correct function is correct installation and it is recommended that the manufacturer's specification is always followed as improper installation can lead to air infiltration, moisture and poor overall product performance. Rylock has comprehensive typical building-in detail for four common wall types to assist installers:

- Lightweight Cladding | Linea Board
- Lightweight Cladding | Hebel PowerPanel
- Brick Veneer; and
- Double Brick

[View the Commercial Series Sliding Door Installation Guide](#)

SCAN QR CODE FOR INSTALLATION GUIDE

Technical Resources on this page include:

- 3D Interactive Renders
- Typical Building-In Detail CAD Drawings
- Link to the NCC (requires login)
- AGWA Fixing Guide (PDF download)

