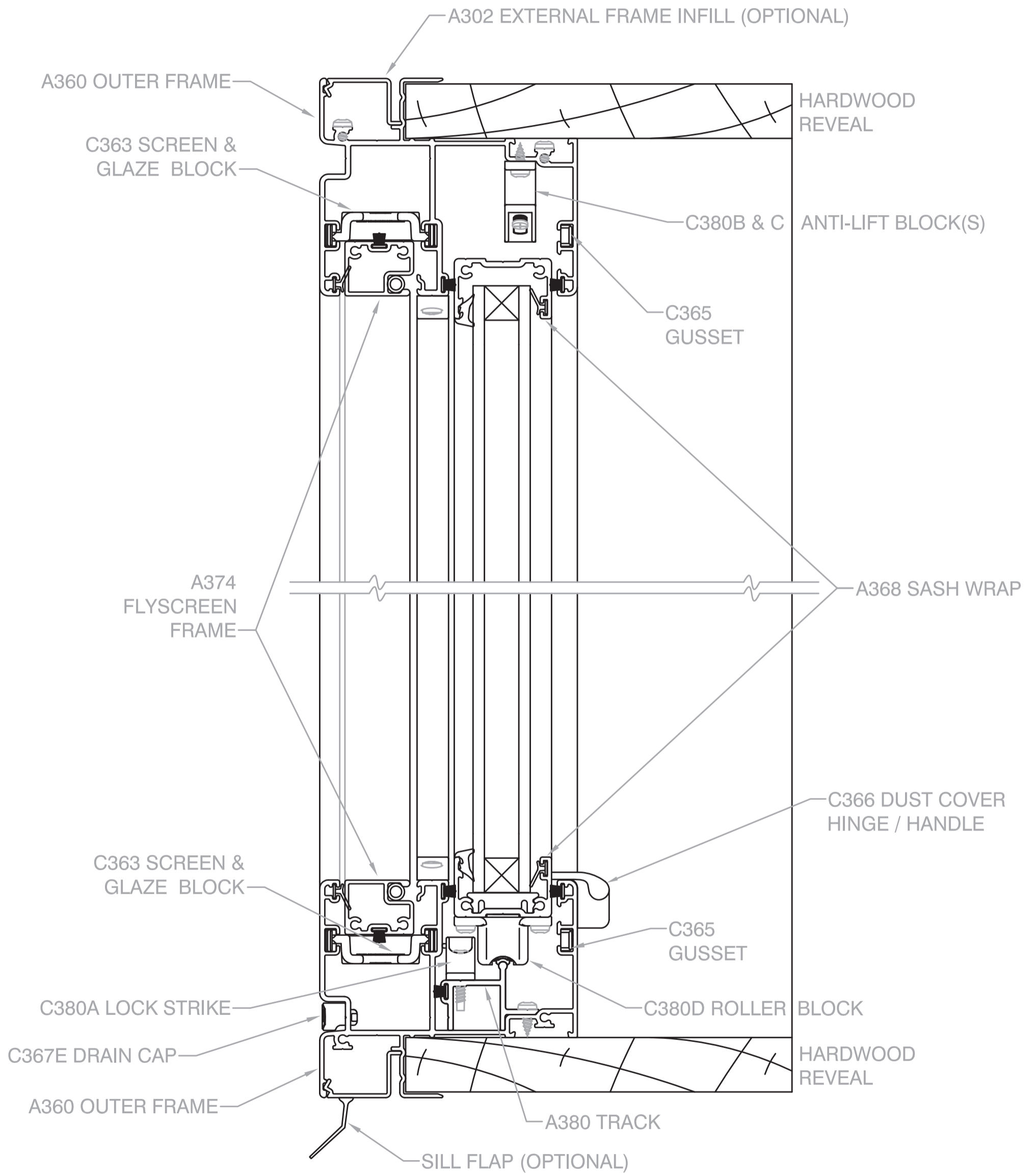


# Sliding Window

ARCHITECTURAL ALUMINIUM SERIES - 90mm FRAME

## Vertical X-Section Details

SHOWN WITH HARDWOOD REVEALS

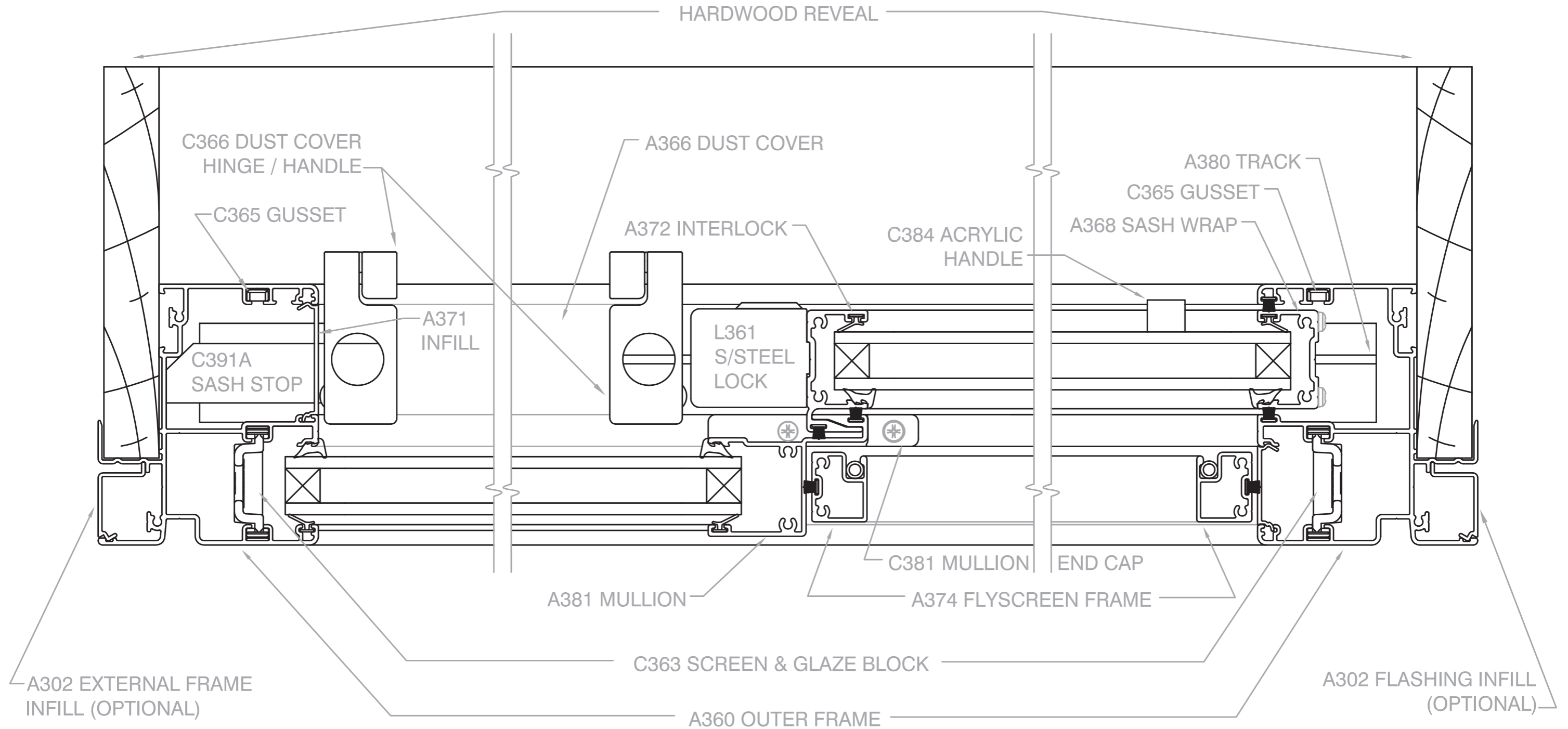


# Sliding Window

ARCHITECTUTRAL ALUMINIUM SERIES - 90mm FRAME

## Horizontal X-Section Details

SHOWN WITH HARDWOOD REVEALS

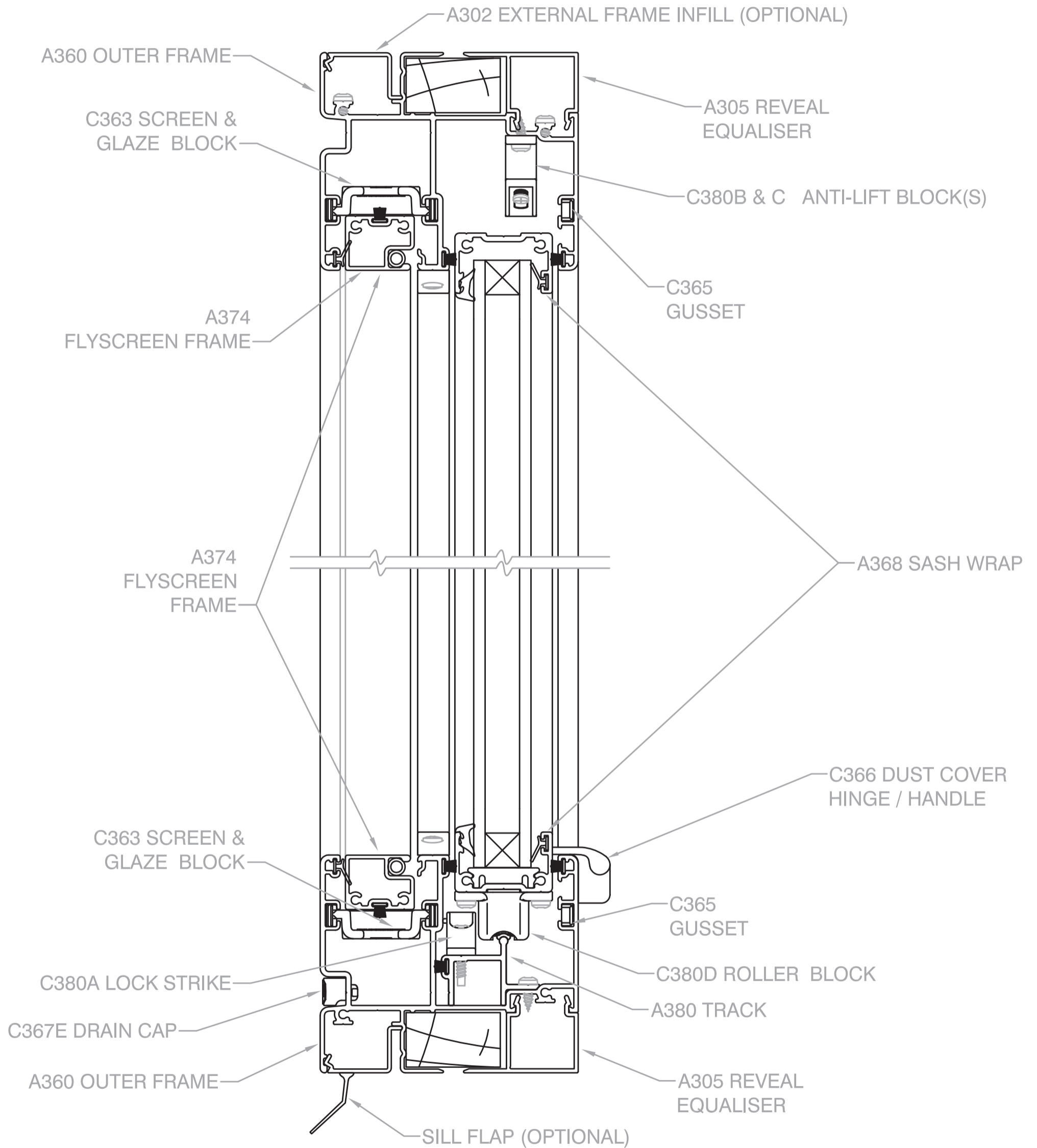


# Sliding Window

ARCHITECTUTRAL ALUMINIUM SERIES - 90mm FRAME

## Vertical X-Section Details

SHOWN WITH REVEAL EQUALISER



# Sliding Window

ARCHITECTUTRAL ALUMINIUM SERIES - 90mm FRAME

## Horizontal X-Section Details

SHOWN WITH REVEAL EQUALISER

